

IN THIS ISSUE:

- State cuts school aid here
- Paw Paw Mayor visits here
- New weekly weather column
- Local art teacher honored

HOAG & SONS' BOOK BINDERY X
 SPRINGPORT, MICHIGAN
 49284

The Grand Valley Ledger

Volume 5, Issue 31

Serving Lowell Area

Readers Since 1893

June 11, 1980



SIGN OF THE TIMES

Lowell Chamber of Commerce have completed a new sign for the billboard on Main Street in time for the Pony Express Day and the C of C Ox Roast on Saturday, June 14. Chamber members responsible for completing the project are Noel Christoff, Bob Pfaller and Dave Clark Jr. Plans are to change the sign for each of the many coming events in Lowell.

SMITH-CLEMENZ SOLD

After 21 years in the same location, Frank Smith of Smith-Clemenz Motor Sales on West Main St. will be closing the doors on his establishment.

The business has been sold to local businessmen Ken Ayres and Dick Roth. The business will no longer be a car dealership but definite plans have not been announced.

Smith has placed his entire inventory on sale at "going-out-of-business" prices. He has not decided on his future plans.

SCHOOL'S OUT — CELEBRATE!!

The Lowell YMCA will help area youngsters celebrate the end of another school year on Friday, June 13. There will be Open Swim from Noon to 5 p.m.

OFFICE HOURS

Showboat Ticket Booth has opened early this year with a part-time schedule. They are open for business on Main Street on Monday and Thursday mornings. Tickets are available for the Billy "Crash" Craddock show on the 4th of July and for Showboat Week, July 21-26 starring Tammy Wynette Monday through Wednesday and The Lettermen Thursday through Saturday. Tickets may also be ordered by phone, 897-9237. The Ticket booth will be changing to longer hours within the next few weeks.

CONFERENCE GAMES

Lowell Summer Conference Games begin at the Lowell Branch Library, 325 W. Main, this week. The 40-minute programs for elementary students are on Monday throughout the summer beginning at 10:30 a.m. The first program is a puppet show called the Triple Grimm Relay on Monday, June 16.

OFF THE BLOTTER

Arrested on a warrant by the 63rd District Court on a charge of breaking and entering Mel's Bar about two years ago was Laura Johnston. She plead not guilty at the arraignment on Monday, June 2 and \$2,000 bond was set.

Theodorus Kazemier was arrested and lodged in the Kent County Jail on a bench warrant on Thursday morning, June 5. He was released on a \$50 bond to appear in court at a later date.

Issued an appearance violation to appear in 63rd District Court at a later date on charges of trespassing was Michael Whittum on Friday, June 6. Whittum was cited for trespassing on school property.

Larry Stratton of Grand Rapids was arrested and lodged in the Kent County Jail for driving under the influence of intoxicating liquor on Friday evening by Lowell officers.

David Rowland of Ada was incarcerated early Saturday morning, June 7, for fleeing and eluding police when the Lowell police attempted to stop him for a traffic violation on South Hudson St. Rowland was apprehended on 30th St. near Buttrick. King George Adams was also arrested at the scene for interfering with a police officer. He posted \$100 bond and will appear at a later date in 63rd District Court.

Thomas Engles suffered minor injuries on Wednesday evening, June 4, when the motorcycle he was riding struck a curb and tipped over.

Lowell officers lodged a 14-year-old runaway from Flint on Saturday evening in the Juvenile Home after he was found here.

DAD'S DAY

Last minute shoppers for Father's Day this Sunday, June 15, can stop at Pfaller's Riverfront Clothing, That Special Place, Andersons Shoes, Lippert's and Riverside Fireplace Shoppe. There are specials and bargains galore.

Pony Express due Saturday

At high noon on Saturday, riders on the last leg of a statewide Pony Express Ride will meet on Main Street in Lowell. The Michigan Sheriff's Posse will descend on Lowell for its 18th annual Pony Express Days with their families and the daylong celebration. Representatives from 32 Michigan counties will be involved.

This year's event was organized by the Kent Co. Sheriff's Posse.

Nearly 400 riders and their mounts will meet at the fairgrounds for the Grand Parade at 2 p.m. The parade route will follow East Main Street to the fairgrounds.

After the parade, a horse show is scheduled to begin at 4 p.m. This will be followed by a Grand Ole Opry show at the Riverside Amphitheatre at 6 p.m. Stars of the show, sponsored by the Ionia Co. Sheriff's Posse will be Cal Smith and the Country Bumpkins along with Vern Cooper and the "Lotta Miles" band with a special guest appearance by the world famous Maycroft Square Tappers.

Cal Smith has plenty of hits in the country/western field but his name is synonymous with the country music classic "Country Bumpkin." It was named Song of the Year and Record of the Year in 1974.

To top off the evening, a dance will be held at 9 p.m. with live music provided by Lowell's pride, "Country Pride." The group has donated their time and talents to make a huge success of the entire day.

Country Pride organized in 1976 with each member of the group having their own vocation and the band their most important hobby. Members are Barry Emmons.

ROSIE DRIVE INN — 800 W. Main, Lowell. TAKE OUT Chicken Bucket. Breakfast Special: Ham & Cheese Omelette w/toast and coffee, \$2. Weekly Special: Reuben Burger, 65c. Wed. Night is Chicken Dinner Night, \$2.00. Sparerib Dinner Thursday night, \$2.95. Sat. Night Sizzler Night, \$2.75, includes Baked Potato, Salad, Homemade Bread. Rosie's hours: Sun. & Mon. close at 6:45 Tues. - Sat. close at 8 p.m.

Fred Jefferies, Don Scholten, Mary Perrin and Bob Perrin.

There will be a carnival at the fairgrounds all day. At 4 p.m. the Lowell Chamber of Commerce will have an Ox Roast at the parking lot of Paul's Showboat Restaurant on East Main St. In case of rain, the roast will be moved to the Methodist Church.

All proceeds from the Ox Roast will be used to fund the July 4 fireworks display. Lowell merchants urge you to enjoy this family treat while you attend the Pony Express Days.

Posse members are still selling "Pony Express" letters which can be sent anywhere in the world. The revenue from the sale of these letters will provide young Steve Loop of Grattan with the funds to realize his heart's desire and visit Disney World. Steve has muscular dystrophy and has already outlived his life expectancy.

Posse members have been aided by area businesses in completion of details for the Posse's member round-up. Kell-Can Portable Toilet Co. of Ada will provide the necessary facilities. B & B Trailer Sales of Alto has provided a comfortable place for Steve Loop to rest during the day-long festivities.

School vote is light here

With two incumbents unopposed and the absence of millage proposals, it was predictable that Monday's school election in Lowell would have a light voter turnout. If it had been any lighter, it would have been non-existent.

Only 186 people took the time to vote to fill two vacancies on the School Board. Incumbent Wayne Dowling had 160 votes and incumbent Dr. James Dumas had 158 votes. There were two write-ins in the Alto precinct but they totaled a negligible number of votes.

Both seats on the Board of Education are for four years.

APPOINTMENTS — Not always needed at Vanity Hair Fashions, open five days, Lowell, 897-7506. c31



Cal Smith

Carter appointed Newaygo City Manager

Dave Carter, 122 Brenda Dr., Lowell was named City Manager of Newaygo, Michigan, on May 27. He will begin working with the present manager on June 17 and assume the position on July 1.

The present manager of Newaygo, Carl Mateer, is retiring from the position.

Carter will be assuming his first position in city management. He graduated with honors from Grand Valley State College on Saturday, June 7 with a Bachelor of Science degree in Public Administration. He has served on the Lowell City Council since January of 1978.

Newaygo is a city of 1,415 located 60 miles north and west of Lowell. Carter will be commuting to Newaygo for the present but must relocate within one year to Newaygo. He will continue as a councilman for Lowell until his permanent move is completed.

Carter is married to the former Kay MacNaughton.



Dave Carter

HAPPY FATHER'S DAY TO Steven "Shorty" Smith from Robert Smith family, Jack Smith family and grandchildren. c31

PRECISION & FASHION HAIRSTYLING — For both men and women. Man's Work Hairstyling. Phone 897-812. c51f

STRAND Theatre
 FRIDAY, JUNE 13 THRU
 MONDAY, JUNE 16

Apocalypse Now
 United Artists
 MARLON BRANDO ☆ ROBERT DUVALL ☆ MARTIN SHEEN

ONE SHOW EACH NIGHT AT 8 PM
 Monday is Bargain Night

Above the Board

State cuts school aid \$54,000

Monday night's board meeting found Curriculum Director Rod Smith reporting considerable success in re-arranging elementary attendance areas. Smith reported that at the present time all elementary class sizes are within absolute contract maximums, with some changes still needed from Bushnell to Runciman. Balanced class loads through voluntary moves is still the district's goal.

Michigan's financial difficulties will be very much in evidence when the Lowell School District receives its August state aid payment reduced by approximately \$54,000. "These difficulties," said Superintendent Kelly, "have created budget reductions which will affect our schools and reduce the August State aid payment by 1.1% of the total budget."

Kelly added that a communication from the Kent County Bureau of Equalization indicated that the district's state equalized valuation increased more than in any other school district in the county except for one. "While this means that growth in our district continues," explained Kelly, "it unfortunately results in a

greater rollback of taxes under the Headlee Amendment than in any other Kent County district, excepting one." The rollback will permit a maximum operational levy for 1980 of 26.8688 mills.

Board members discussed and then adopted unanimously several new textbooks as proposed by the Curriculum Council and Curriculum Director Smith.

Some long-range plans on the use of middle school and high school physical education and athletic fields were presented by Don Kelly. Kelly reported that the school district was working

LAAC awards Arts Scholarships

Five area junior and senior high school students have been awarded \$100 scholarships to Blue Lake Fine Arts Camp by the Lowell Area Arts Council.

Recipients are Kristin Kinsey, daughter of Mr. and Mrs. Robert W. Kinsey of Alto; Marc Angus, son of Mr. and Mrs. Arthur Angus of Lowell; Mindy Walling, daughter of Mr. and Mrs. Clifford Walling of Lowell; Kim Schneider, daughter of Mrs. Jeanne Schneider and

ing closely with the City and the Y in developing additional softball diamonds, with the district providing the sites and the Y and the City, providing equipment and manpower needed to develop them.

The board passed a motion to advertise for bids on a dry storage building to house equipment. Building and site funds have been earmarked for this project at the March 12, 1979 board meeting.

With voter turn-out at its lightest in years, incumbents Wayne M. Dowling and James A. Dumas will see duty for the next four years on the board.

Mr. John Schneider of Lowell; and Charlene Esterline, daughter of Mr. and Mrs. Earl Esterline of Lowell. All of the students attend the Lowell Area Schools except Charlene, who is a student at Saranac Middle School.

The LAAC is indebted to the Lowell Community Fund for making three of these scholarships possible.

USE THE LEDGER CLASSIFIEDS USE THE

Lowell hosts Paw Paw Mayor

Paw Paw Village President Charles F. Smith brought his delegation to Lowell to compare notes on city government, during Mayor Exchange Day on Tuesday, June 10. Smith has been Village President since 1975 after serving on the Village Council since 1967.

Lowell's annual Mayor Exchange Day usually falls during Michigan Week but this year the Michigan primary got in the way and the date was changed. Lowell exchanged local government officials and administrative personnel with Paw-Paw, Michigan.

Paw Paw Village President Charles F. Smith and his wife Joanne, Chief of Police George Fadel and his wife Pat, and Councilman Dalton Rumsey and his wife Wilma were welcomed to Lowell mid-morning. A full schedule of activities were scheduled beginning with an overview of city government, a tour of City Hall and an explanation of the computer system.

Morning tours of the different buildings in the municipal plant were followed with a luncheon at the Lowell Masonic Temple with representatives from Lowell service organizations.

Afternoon tours for the group included Schneider Manor, the Water Treatment Plant, Lowell City Airport (complete with plane ride over the area), Christoff & Sons plant.

After a reception at the Village offices, visitors and hosts engaged in a workshop on local government organization followed by tours of municipal buildings. Tours were planned after luncheon of a senior citizens housing project, and a tour of local industry, including Warner Vintages Winery and the St. Julian Winery.



Dignitaries of Paw Paw and Lowell stopped long enough as they began their Mayor Exchange Day to have their photo snapped. They are (L-R): Front row, Lowell Councilman Jim Maatman, Lowell Councilman Jack Fonger, Mrs. Wilma Rumsey, Mrs. Joanne Smith, Mrs. Pat Fidel. Back row, Paw Paw Councilman Dalton Rumsey, Paw Paw Village President Charles Smith and Paw Paw Police Chief George Fidel.

The basic reason for Mayor's Exchange Day is to provide a chance to exchange ideas, particular problems and possible solutions.

Visiting Paw Paw at the same time were Lowell Mayor Dean Collins and his wife Carol, Councilman David Carter and his wife, Kay, and Chief of Police Barry Emmons and his wife Glenda.

After a reception at the Village offices, visitors and hosts engaged in a workshop on local government organization followed by tours of municipal buildings. Tours were planned after luncheon of a senior citizens housing project, and a tour of local industry, including Warner Vintages Winery and the St. Julian Winery.

Summer games

Who needs the Moscow Olympics? Lowell area elementary children can spend six summer Monday mornings at the Lowell Branch Library in a series of programs called the Lowell Summer Conference Games.

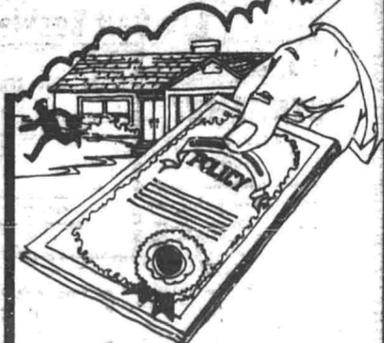
According to Evelyn Briggs, Lowell librarian, the programs will begin at 10:30 a.m. and last about 45 minutes. The first program is scheduled for June 16 and is billed as the Triple Grimm Relay (a puppet show).

The rest of the line-up is: June 30—Cross Country Folksong (sing-along); July 14—Pentathlon Puppets (five Aesop fables); July 28—Paperchase Medley (storytelling with paper); Aug. 11—Cookie Contest and Magic Movies; Aug. 25—Hatmaking (arts and crafts).

Have a pet? Spay her now and you'll have no litter later. This message from the Humane Society

Louis Sockalexis of Maine was the first American Indian to play professional baseball. The Cleveland Indians are so named for him.

Be assured with insurance!



Are your valuables protected?

Insuring your valuables means relief from worry. Check out this special insurance policy on personal property or ask our representative to attach a "rider" to your present residential insurance policy to add extra coverage for special items.

J.R.B. Agency, Inc.

835 W. Main • 897-9253

Lippert SHOW POPPHE'S TOPS
Prices Good Thru Sunday, June 15th
SALE

VISA master charge

Money Orders, Michigan Bell and Consumers Power Bills Payable Here Lottery Tickets

Store Hours: Monday thru Saturday 9am to 9pm Sundays 9am to 6pm

EVEREADY ENERGIZER BATTERIES
Choice of C-D or 9 Volt 2 Pack Reg. \$2.25
Sale \$1.27 Not Cost 27¢

SKIL CIRCULAR SAW
7 1/2" Blade 1 5/8 hp
Reg. \$39.88 Sale \$26.88 Save \$13.00 Limited Supply - Good while supplies last.

SKIL VARIABLE SPEED JIG SAW
Reg. \$39.95 Sale \$24.88 Limited Supply - Good while supplies last.

EVEREADY FLOATING LANTERN
With Battery 6 Volt Reg. \$9.99 Sale \$5.89 Save \$3.00

UP TO \$15 back KODAK COLORBURST 50 Instant Camera
\$28.00 Factory Rebate -5.00 YOUR PRICE AFTER REBATE \$23.88

FATHER'S DAY June 15

Beautiful Assortment Of Hallmark Cards & Gift Items

Men's & Ladies' Billfolds
Assorted styles and shapes from Amiry
REG. 12.50 to 13.50 \$6.99

Mens Jewelry, Necklaces & Belt Buckles
\$5 REBATE

KODAK INSTANT COLOR FILM PR10
Sale 6.29
get another \$10 back

SOCKET SET
1/4" & 3/8" Drive S.A.E. & Metric Combination Complete with reversible ratchet, extension bar and metal carry case. Suggested List \$49.95 \$9.95 Set Limited supply - While Supply lasts.

SPRING Goods SALE
Ryobi Skirted SPINNING REEL Mod. Heavy Duty Fresh Water Model SX5 Reg. \$26.76 Sale \$18.95
Old Pal Professional TACKLE BOX 3 Tray Model 1580 Reg. \$13.20 Sale \$7.95

MAKE DAD HAPPY WITH Russell Stover Candies
\$4.25

Men's Fragrances...
Cologne, Gift Sets \$1.00 off ANY \$5.00 Retail and up
Coupon good only at Lippert's in Lowell Expires Sun. June 15, 1980

Check our Large Selection of Timex Watches
many new styles 20% off with coupon
Coupon good only at Lippert's in Lowell Expires Sun. June 15, 1980

Men's Fragrances, Cologne, Gift Sets \$1.00 off ANY \$5.00 Retail and up
Coupon good only at Lippert's in Lowell Expires Sun. June 15, 1980

The Life Long Gift Strada Quality Knives
30 styles to choose from Reg. \$8.95 with \$3.00 off coupon Limited to supply on hand. Coupon good only at Lippert's in Lowell Expires Sun. June 15, 1980

Helin FLATFISH LURES
All Time Favorite "U" & "X" Series Reg. \$3.49 Sale \$1.49 Limit 6 please None sold to dealers

Rapala Fish FILLET KNIFE
Reg. \$7.99 4" size Sale \$4.97
Reg. \$9.99 6" size Sale \$6.47

THESE PRICES ARE GOOD AT THE LOWELL STORE, OTHER LIPPERT LOCATIONS ARE:

560 Jenner Dr. Allegan, Mi. (616) 673-2181	119 W. Main St. Carson City, Mi. (616) 584-3077	507 N. Lafayette Greenville, Mich. (616) 754-3625	131 W. Main St. Caledonia, Mi. (616) 891-1256	43 S. Main St. Cedar Springs, (616) 898-9040	413 E. Main St. Lowell, Mich. (616) 897-9221
--	---	---	---	--	--

ON YOUR FEET ALL DAY?

You need a checking account.

A time saving...step saving checking account is what you need. No need to run around paying bills. Just write the check, record it in your checkbook register for bookkeeping purposes, put a stamp on the envelope and pop your check in the mail. And, we'll send you a detailed monthly statement showing all your checking activity. Open your time saving...step saving checking account today and enjoy service free checking when you maintain the minimum balance in your account.

During the next few weeks some construction work will be taking place at our Westown Office. Our goal is to give you improved service by having 2 drive-up lanes on each side of the building. During construction we will need to close down 1 side of the building at a time. The remaining side and the walk up window will be open to serve you. We apologize for the temporary inconvenience.

SSB STATE SAVINGS BANK Lowell Rockford

DRIVE-IN'S & BRANCH OFFICE HOURS

Mon. thru Thurs. 8:30am-5:00pm	LOWELL MAIN OFFICE: Mon. thru Wed. 9:00am-3:30pm Thurs. & Sat. 9:00am-12:00noon Fridays 9:00am-5:30pm	ROCKFORD BRANCH: Mon. thru Thurs. 9:30am-5:00pm Fridays 9:30am-5:30pm Saturdays 9:30am-1:00pm
--------------------------------	---	---

THREE CONVENIENT LOCATIONS
Westown-1425 W. Main St., Lowell Main Office-414 E. Main St., Lowell Rockford-M-44 & Myers Lake Road

Obituaries

BENNETT — Lillian Edith Bennett, aged 94, passed away Friday, June 6, 1980 in New Orleans.

Formerly of Ada she was a Music Instructor in the area for several years.

Surviving are a sister, Mary Cranon of Grand Rapids; also several nieces and nephews.

The funeral service was held Monday at the funeral chapel, Rev. Jack Richards of The Ada Congregational Church officiating. Arrangements by O'Brien-Gerst Funeral Home, 3980 Cascade Rd.

BUNDY — Vicki R. Bundy, aged 30, of 10915 2 Mile Rd., Lowell, passed away Friday morning, June 6, 1980

of accidental injuries.

She is survived by her husband, Harvey; one son, Zachary Bundy of Lowell; her parents, Irwin and Dorothy Anderson of Wyoming; one sister, Mrs. Kim (Janet) Brotherton of Grand Rapids; her grandmother, Mrs. Sarah Nelson of Cadillac and Mrs. Sarah Anderson of Reed City.

Funeral services were held Monday, the Rev. Robert W. Mueller officiating. Interment Blytheheld Memory Gardens.

EDMONDS — Ms. M. Edmonds, aged 87, of Mecosta, passed away at her home June 8, 1980.

She was born in Millbrook on May 26, 1893. Her husband Arthur preceded her in death in 1967.

Survivors include her two sons, Vern and Elmer of Zepher Hills, FL.; four daughters, Anna Roberts of Reed City, Ester Davis of Mecosta, Phyllis Petersen of Hudsonville and Doris Ruth of Lowell; 19 grandchildren; 27 great-grandchildren.

Services will be Wednesday, June 11 at 1 p.m. at Crittenden-Hansen Funeral Home. Remus Norman Mosher officiating. Burial Decker Cemetery, Millbrook.

ISENHOFF — Mrs. Edna E. Isenhoff, aged 65, of Byron Center, passed away Sunday morning, May 25, 1980, at Blodgett Memorial Center.

Surviving are her hus-

band, George E. Isenhoff; one son and daughter-in-law, Eric and Sherri of Angola, IN; a daughter and son-in-law, Elissa and William De-Vries of Ada; a sister and brother-in-law, Ellen and Lester Rominger of Ottumwa, Iowa; five grandchildren and one great-grandson.

Mrs. Isenhoff was past Matron, York Chapter Eastern Star.

A funeral was held Wednesday at South Congregational Church with her pastor the Rev. Phillip E. Reikow officiating. Burial in Winchester Cemetery.

KINDEL — Thomas G. Kindel, aged 79, of 745 San Jose Dr. SE, passed away Wednesday, June 4 in Blodgett Hospital.

Surviving are his wife, Mary; two daughters, Mrs. Robert (Jessie) Palmer and Mrs. John (Mary) Libby both of New York City; five grandchildren, Elizabeth Palmer, Thomas Kindel Palmer, Carolyn Libby, Annie Libby and Virginia Libby; one brother, Charles M. Kindel of Grand Rapids; and one sister, Mrs. George (Ruth) Clay of Alto.

A memorial service was held Saturday in Fountain Street Church. Dr. Duncan E. Littlefair officiating.

MC CORMACK — Mary Frances McCormack, aged 85, of Kentwood, passed away Monday.

She is survived by her daughter-in-law, Mrs. Sarah

Jane McCormack of Grand Rapids; children, John F. and Margaret of Ada, William F. and Maxine of East Grand Rapids, Thomas E. and Florence of Grand Rapids, Gordon and Barbara Scoville of Grand Rapids, Chris J. and LaVina VanDam of Lavonia, Lawrence T. and Ellen Zomberg of Grand Rapids; also 32 grandchildren and 11 great-grandchildren.

The Funeral Mass was said Thursday at Immaculate Heart of Mary Church. Interment in Resurrection Cemetery. Memorial contributions may be made to the Dr. Frank Doran Fund.

MOELLER — Rudolph T. Moeller, 82, of 13626 94th St., Alto, formerly of Johnstown, Pa., died Friday morning, June 6, at his home.

Services were Monday at the Henderson Funeral Home in Johnstown, Pa. Burial in Grandview Cemetery, Johnstown.

He was born Dec. 28, 1897, in Johnstown Pa., the son of Justus and Marie (Wanur) Moeller. He was a life long resident of Johnstown, until 1972 when he moved to Alto where he lived with his son, Rev. Robert Moeller.

He worked with the Pennsylvania Railroad for 10 years and was a self employed barber in Johnstown, retiring

in 1971. He married Daisy Tiffany in Johnstown. She died in 1964.

Surviving are six children, Theodore Moeller of Johnstown, Mrs. Mary Louise Ringler, Mrs. Florence Figert, Miss Esther Moeller, all of Warsaw, Ind.; Kenneth Moeller of Elkhart, Ind., and Rev. Robert Moeller of Alto; 12 grandchildren; four great-grandchildren; one sister, Mrs. Meta Zolbe of Oxford, MI.

PARMETER — Donald H. Parmeter, aged 21, of 700 Kirtland SW, passed away unexpectedly Thursday, June 5, 1980.

Surviving are his parents, Loren and Jean Parmeter; two brothers, Loren and Kathy Parmeter of Wyoming, Keith and Lauren Parmeter of Grand Rapids; five sisters, Mrs. Clayton (Sharon) VanAmburgh of Lowell, Mrs. Robert (Pam) Alma of Kentwood, Mrs. John (Susan) Cross of Wyoming, Miss Cindy and Miss Julie Parmeter both of Grand Rapids; his grandmother, Mrs. Susie Simpson of Grand Rapids; several aunts, uncles, nieces, nephews and cousins.

Funeral services were held Saturday at the VanderPool-Stegenga Funeral Chapel, with the Rev. Lewis VanderMeer officiating. Interment Chapel Hill Memorial Gardens.

He is survived by his parents, David and Elaine Thomas of Belding; grandparents, Joseph and Nona Parker of Lowell, and Michael Thomas of Belding.

Services were held Tuesday at the Roth-Gerst Funeral Home with Rev. Thomas Schiller officiating. Interment St. Mary's Cemetery. Memorials may be made to the Neo-Natal Care Unit at Butterworth Hospital.

WADE — Miles N. Wade, aged 56, of 1861 Fuller Avenue NE, passed away very suddenly Saturday, June 7, 1980 at Gerber Memorial Hospital in Fremont.

He is survived by his wife, Georgiana R. Wade; two stepdaughters, Mrs. Michael (Barbara) Naughton of Alto and Mrs. Gil (Constance) Fowler of Lexington, MI; his father, Samuel Wade and sister, Mrs. Marie Smith, both of N.C.; two brothers, Thomas Nelson Wade of Florida and Jerry Kent Wade of North Carolina and nieces and nephews.

Mr. Wade has been an employee of the American Seating Co. the past 32 years.

Services will be held at 10 Wednesday morning at the funeral chapel, with Rev. Robert J. Lignell, of Faith Lutheran Church officiating. Interment in Fairplains Cemetery. For those who wish, memorials may be made to the Michigan Heart Association.

WOTM holds installation

Lowell Women of the Moose (WOTM) will hold their installation of officers and chairmen on Monday, June 16 at 8 p.m.

To be installed are: Sr. Regent Emily Zengri; Jr. Regent Lorna Franks; Chaplain Vada Kline; Treasurer Marion Baker; Recorder Rose Nead; Jr. Grad Norene Martin; Guide Nancy Nordhof; Asst. Guide Judy Merklinger; Argus Eva Harris; Sentinel Barbara Frazier; Pianist Genevieve Weeks; Ritual Director Janet Bovee.

Chairmen to be installed are: Ruth Hyde, College of Regents; Diane Siciliano, Membership; Aigene Feuerstein, Publicity; Mary Shores, Mooseheart; Sue Wester, Library; Norma Hemingson, Social Service; Marie Monroe, Child Care; Mary Kay Wright, Hospital; Esther Wilson, Moosehaven; Muriel Abraham, Star Recorder; Liz Hawk, Academy of Friendship.

Members to be installed are asked to make every effort to be present.

Obituaries

RINGLER — Albert R. Ringler, aged 91, of Grand Rapids, former Sand Lake resident, passed away Tuesday, June 3 at Cherry Creek Care Center in Lowell.

Surviving are two daughters, Mrs. Lawrence (Helen) Woodard of Rockford, Mrs. Tom (Mary) Dingman of Sand Lake; three sons, Donald of Greenville, Howard of Sparta and Basil of Cedar Springs; 24 grandchildren; 22 great-grandchildren; one brother, William of Lowell.

Funeral services were held Friday at the Bliss-Earl Funeral Home in Cedar Springs. Rev. Harley Benith officiating. Interment Coral Cemetery.

THOMAS — Christopher Michael Thomas, aged 2 days, passed away Sunday, June 8, 1980.

He is survived by his parents, David and Elaine Thomas of Belding; grandparents, Joseph and Nona Parker of Lowell, and Michael Thomas of Belding.

Services were held Tuesday at the Roth-Gerst Funeral Home with Rev. Thomas Schiller officiating. Interment St. Mary's Cemetery. Memorials may be made to the Neo-Natal Care Unit at Butterworth Hospital.

WADE — Miles N. Wade, aged 56, of 1861 Fuller Avenue NE, passed away very suddenly Saturday, June 7, 1980 at Gerber Memorial Hospital in Fremont.

He is survived by his wife, Georgiana R. Wade; two stepdaughters, Mrs. Michael (Barbara) Naughton of Alto and Mrs. Gil (Constance) Fowler of Lexington, MI; his father, Samuel Wade and sister, Mrs. Marie Smith, both of N.C.; two brothers, Thomas Nelson Wade of Florida and Jerry Kent Wade of North Carolina and nieces and nephews.

Mr. Wade has been an employee of the American Seating Co. the past 32 years.

Services will be held at 10 Wednesday morning at the funeral chapel, with Rev. Robert J. Lignell, of Faith Lutheran Church officiating. Interment in Fairplains Cemetery. For those who wish, memorials may be made to the Michigan Heart Association.

WOTM holds installation

Lowell Women of the Moose (WOTM) will hold their installation of officers and chairmen on Monday, June 16 at 8 p.m.

To be installed are: Sr. Regent Emily Zengri; Jr. Regent Lorna Franks; Chaplain Vada Kline; Treasurer Marion Baker; Recorder Rose Nead; Jr. Grad Norene Martin; Guide Nancy Nordhof; Asst. Guide Judy Merklinger; Argus Eva Harris; Sentinel Barbara Frazier; Pianist Genevieve Weeks; Ritual Director Janet Bovee.

Chairmen to be installed are: Ruth Hyde, College of Regents; Diane Siciliano, Membership; Aigene Feuerstein, Publicity; Mary Shores, Mooseheart; Sue Wester, Library; Norma Hemingson, Social Service; Marie Monroe, Child Care; Mary Kay Wright, Hospital; Esther Wilson, Moosehaven; Muriel Abraham, Star Recorder; Liz Hawk, Academy of Friendship.

Members to be installed are asked to make every effort to be present.

Hair dryers recalled

The U.S. Consumer Product Safety Commission today announced the recall of more than one-half million hair dryers and styling combs which were manufactured with asbestos. The recall includes professional hand-held hair dryers sold for use in barber shops and hair salons.

The recalls are being conducted voluntarily by the Andis Company of Racine, Wisconsin and by National Presto Industries, Inc., of Eau Claire, Wisconsin. Under voluntary corrective pro-

grams approved by the Commission, the two firms have agreed to replace the asbestos linings in the dryers and stylers with non-asbestos materials.

The Andis Company is recalling tens of thousands of hand-held dryers sold to professional barbers and beauticians since 1973. Some salons may have resold the dryers directly to consumers. CPSC staff reports.

The recall applies to the following Andis hair dryer styles and models: Electro Dryer, model ED, Electro Dryer II, model ED2; Ultra 1200, model U-12; Elite 1500, model 480-EL; and Elite 1250, model E-12.

Professional hair stylists should return these dryers to the supply distributor where purchased for free repairs. Consumers who own one of dryers can obtain the location

of the nearest repair center by contacting Andis at its toll-free number 1-800-558-9441.

Hundreds of thousands of the bonnet & hood-type hair dryers and styling combs are being recalled by National Presto Industries. These hair products were sold to consumers as early as 1965 through a variety of independent retail stores nationwide.

The following Presto brand dryers and stylers are eligible for free repairs: Elastic Bonnet, models LP04 and PP10A; Professional Hood, model PP18A; Mist Hood, models PP19A and PP19B; Styling Comb, model PP24A; and Mist Styling Comb, model PP25A.

Consumers should mail the dryers and stylers for free repairs to National Presto Industries, Eau Claire, Wisconsin, 54701.

The Grand Valley Ledger

(USPS 453-630)
is published weekly for \$6.00 a year in Kent or Ionia Counties, \$8.00 a year outside the counties by the Grand Valley Ledger Publishing Company, 105 N. Broadway St., Lowell, Michigan 49331.

ROGER K. BROWN
EDITOR & PUBLISHER
Second-Class Postage Paid at Lowell, Michigan
Published Every Wednesday
POSTMASTER: Send address change to The Grand Valley Ledger, P.O. Box 128, Lowell, MI 49331.

Welcome Pony Express

See Us For A Fine Selection Of

FRESH DAILY BAKERY TREATS

LOWELL BAKERY
216 E. Main • Phone 897-9642

This plan can cut your winter energy payments.

Balance your energy payments over the year with the Equal Monthly Payment Plan.

The Equal Monthly Payment Plan from Consumers Power divides your average yearly energy bill into 12 equal payments. Your energy payments will be balanced throughout the entire year, so you'll avoid the seasonal ups and downs - particularly those high winter heating bills. With the Equal Monthly

Payment Plan, it's easier to work your gas and electric bills into your monthly budget. Your energy bills will be as predictable as your house or car payments.

To sign up for the plan, look for the message at the top of your next bill. It will show the exact amount your personal equal monthly payments will be. Just mark an "X" in box 1 and make your energy bills a balanced, predictable part of the family budget. Sign up for the Equal Monthly Payment Plan.

PUBLIC AUCTION

COMPLETE SELL OUT OF DOUG BOSKER'S FORD, WILLIAMSTON, MICH.

Shop Tools & Equipment

Saturday, June 14th at 10:00 A.M.

By Tom Nagy Auctions 676-5781

After 25 Years, Smith and Clemenz Motor Sales Is

GOING OUT OF BUSINESS

ALL CAR AND TRUCK INVENTORY TO BE LIQUIDATED AT HUGE SAVINGS TO YOU!

Smith & Clemenz USED CARS - TRUCKS - PICKUPS
2401 W. Main St. Lowell 897-9881

Chrysler LeBaron takes on Olds Cutlass!

SPECIAL \$300 REBATE FROM CHRYSLER!
Rebate offer good only on specially-tagged 1980 cars.



1980 Chrysler LeBaron Medallion 4-door

Announcing Chrysler-Dodge Showdown Days!

The new Chrysler LeBaron Medallion 4-Door. 38 out of 50 people who compared it to Olds Cutlass Brougham rated LeBaron superior overall!

Here are just some of the 35 test categories, and how people voted:						
	Front end styling	Interior styling	Rear seat leg room	Overall riding comfort	Greater value	Superior overall
Chrysler LeBaron Medallion 4-door	43	38	38	31	42	38
Olds Cutlass Brougham	7	12	12	19	8	12

*Based on a survey by the Nationwide Consumer Testing Institute, Inc. conducted February 9-10, 1980.

Get special Showdown deals on 1980 Chrysler LeBarons!

	STICKER PRICES*	OUR PRICES**
1980 Chrysler LeBaron Medallion 4-door	\$7329	\$6525
1980 Chrysler LeBaron Salon 2-door	\$6643	\$5950

*Manufacturer's suggested retail price. Title, taxes, destination charges extra.
**Title, taxes, destination charges extra.

Hurry! See us during Chrysler-Dodge Showdown Days!

Friendly Henry says

VENNEN

LOWELL, MICHIGAN 897-9281

Dodge CHRYSLER Dodge Trucks

Sales Department: Monday & Wednesday 8 AM to 9 PM, Thursday & Friday 8 AM to 6 PM, Saturday 8 AM to 3 PM, Service Dept: Wednesday 8 AM to 9 PM

Service Address if Different Than Mailing

Current Month Due Date Total Due

PLEASE MAKE ANY INQUIRY OR COMPLAINT ABOUT THIS BILL PRIOR TO DUE DATE

NEXT WINTER WILL BRING HIGHER HEATING BILLS. BUDGETING PAYMENTS MAKES BILL PAYING EASIER. NOW IS THE TIME TO JOIN THE EQUAL MONTHLY PAYMENT PLAN. BY MARKING BOX 1 AT THE RIGHT YOU WILL BE PLACED ON OUR DEDUCTIBLE PLAN WITH YOUR NEXT BILL. YOUR EQUAL PAYMENT AMOUNT WILL BE

PLEASE MAIL UPPER PORTION WITH YOUR PAYMENT TO THE ADDRESS ON THE REVERSE SIDE. KEEP LOWER PORTION FOR YOUR RECORDS

Name Service Address Your Account Number

CONSUMERS POWER COMPANY CONSUMERS POWER COMPANY IS REGULATED BY THE MICHIGAN PUBLIC SERVICE COMMISSION LANSING, MICHIGAN

TELEPHONE # Long Distance Consult Your Directory

40-26-944-C

Church News

Growth workshop for women

Women's Resource Center is offering two personal growth workshops at its 252 State St. workshop facility on three consecutive Tuesdays, beginning June 10. The first workshop, "Overcoming Shyness," 1 to 3:30 p.m., has been designed to help women gain a greater understanding of shyness, its effects on their lives and the skills necessary to overcome it. The second workshop, "Where Do I Go From Here and How Do I Get There?," 7 to 9:30 p.m., is a decision-making seminar. Participants learn the techniques of effective decision-making in order to assert control over the future direction of their personal and professional lives.

Two employment-related workshops are also being offered at State St. The first is "Resume Writing," June 9, from 7 to 9:30 p.m. Participants will learn to tailor resumes to fit their own particular skills. The second is "Interviewing Skills," June 16, from 7 to 9:30 p.m. Important interviewing facts and techniques precede role-playing and practice situations to prepare participants for actual job interviews.

STUDENTS SKILLS FOR OFFICE WORK

College and vocational students often possess skills, hidden skills, which qualify them for office work, as measured by the Manpower Skills Measurement System.

The skills measurement system measures applicants' positive work attitude, dependability and ability to follow instructions. The system also includes specific skill tests in typing, letter preparation, dictation and other office skills.

Listed below are examples of those hidden skills which students most often possess. Liberal Arts: General office, junior typist, statistical typist, invoice typist, statistician, receptionist, receptionist/switchboard, duplicating machine operator, addressograph operator.

Business Administration: Accounting: Adding Machine/10 key operator, pay roll clerk, assistant book keeper, accounting clerk (junior and senior).

Computer Sciences: CR typist, control clerk, magnetic tape librarian.

Marketing: Demonstrators, detailer, survey interviewers, comparison shoppers, samplers.

Vocational/Trade: Painter, tradesman's assistant.

Nursing: Nurse's aid (with certification), license-practical nurse (with completion of educational sequence), admitting clerk in ward clerk.

KNOW NOTHING PARTY OR IS THAT REDUNDANT

The first national convention of the Know Nothing Party was held June 5, 1855 in Philadelphia, Pa. Originally a secret society, the party also called "The American Party," nominated former President Millard Fillmore as its candidate for office in the 1856 election at a convention earlier that year. Fillmore garnered only eight electoral votes. Examples of the Know Nothing Party material are Fillmore campaign memorabilia are part of the special "Politics U.S.A." exhibit continuing through Labor Day at Henry Ford Museum Dearborn, Mich.

HOMESPUN DEVOTIONS

by Pauline E. Spray

The God of my rock; in him will I trust; he is my shield, and the horn of my salvation, my high tower, and my refuge. . . (II Samuel 22:3).

When the telephone bill arrived, the statement on the inside wasn't exciting, but the message on the outside of the envelope was interesting. It read:

Lonesome . . . feeling sort of blue. Here's the very thing to do . . . Call that loved one far away. Presto! Everything's O.K."

The best blues chaser in the world is prayer. When we are feeling blue, when the skies are dark, when mountains of trials loom up before us, we can find relief by contacting heaven. After the connection has been made, the troubles diminish, the shadows fade, the loneliness vanishes. Everything looks bright again.

Contrary to the line in the jungle, the Lord is not far from any one of us. He is waiting to brighten the day

for all who "call" Him. "He who turns aside to stop and pray will grow stronger day by day."

Don't neglect it! "Give Him a call" today.

Prayer: Dear Lord, it is a privilege to call upon Thee in every time of need. Thou wilt bear my burdens and chase the blues away. Just now Thy presence cheers my heart. Amen.

What a friend we have in Jesus. All our sins and griefs to bear!

What a privilege to carry Ev'rything to God in prayer!

Joseph Scriven

JETS FORECAST WEATHER

The trail left by a jet has a story to tell. If the moisture content of the air at 40,000 feet is low, the jet trail will soon disappear and dry conditions will remain for 12 to 24 hours.

However, if the jet trail lasts a minute or more, it is an indication that there is plenty of moisture, and a change in weather can be expected within the next six to eight hours. The change is usually rain.

To renew vows

The First United Methodist Church of Lowell will hold a Marriage Renewal Service on June 15 at the 11 a.m. service complete with wedding music.

Couples will have a chance to renew their wedding vows. There will be a reception after the service with a wedding cake provided.

Bible school starts

Vacation Bible School is planned at the Lowell Wesleyan Church, 1069 Lincoln Lake, for June 16-20 from 6:30-8:30 p.m.

The program will be conducted by Uncle Les and Aunt Mary and all their puppets.

CCC hosts handbell concert

A Handbell Choir Concert will be presented at Cascade Christian Church, 2829 Thornapple Drive by the Westminster Presbyterian Women's Handbell Choir. Under the direction of Mr. Dan Nicely, the program will be in the church sanctuary on Sunday, June 22 at 7:30 p.m. Everyone is welcome.

Every litter hurts a bit. Be kind to your pet. Have him or her sterilized. A message from the Humane Society of Kent County.

Reflections From Outer Space

By Rev. Jerry Bates

When Johnny was six, he was with his father when they were caught speeding. He saw his father slip the officer a five dollar bill. There was no ticket.

When Johnny was ten, he broke his glasses on the way to school. He heard his mother tell the insurance company that the glasses had been stolen, and she collected forty-seven dollars.

When Johnny was sixteen, he made right guard on the high school football team. His coach taught him to block, and, at the same time, to hold the defensive man by grabbing his shirt. He was cautioned not to let the official see him do it.

When Johnny was seventeen, he had a summer job at a large supermarket. Part of his job was to put the overripe fruit at the bottom of the container and the good fruit on top.

When Johnny went off to college, he was approached by an upper classman who offered him the answers to an English examination for three dollars. "It's OK, kid," he was told, "everybody does it." Johnny was caught and sent home in disgrace.

"How could you do this to your mother and me?" his embarrassed father asked. If there is one thing the adult world can't stand, it's a kid who cheats—and gets caught.

I remember a story of a mother who could not understand why her son was in trouble with the police. In discussion with the youth the following information came out.

When the family visited a national park, they sneaked him through a hole in the fence and only paid for themselves. When the father wanted to exceed the speed limit, he would ask the entire family to watch out for the police.

Our children copy us. They do what they see us do. Our actions affect them more than our words. If we break the law, it may be only that we do not stop at a stop sign, they see us do it. So what if the law they break is bigger, they are only doing what they see us doing. After all it is only a matter of degree. Just remember, somebody is watching you. It could be your son or daughter.

Keep the love flowing . . . Jerry

Attend Services



ADA CHRISTIAN REFORMED CHURCH 7152 Bradford St., S.E. — 676-1088 REV. ANGUS M. MACLEOD Morning Worship 9:30 a.m. Sunday School 11:00 a.m. Evening Worship 6:00 p.m.	ADA COMMUNITY REFORMED CHURCH 7727 Thornapple River Dr. — 676-1032 Pastor: Jerry L. Johnson Morning Worship 10:30 a.m. Sunday School 11:30 a.m. Evening Worship 6:00 p.m. WE INVITE YOU TO MAKE THIS COMMUNITY CHURCH YOUR CHURCH HOME. WELCOME TO ALL.	FIRST BAPTIST CHURCH OF ALTO Corner of 60th Street & Bancroft Avenue Sunday School 10:00 a.m. Morning Worship 11:00 a.m. Jr.-Sr. High Young People 6:30 p.m. Evening Worship 7:00 p.m. Wednesday Bible Study 7:00 p.m. REV. GEORGE L. COON Telephone 868-6403 or 868-6912	BETHANY BIBLE CHURCH 3910 East Fulton REV. RAYMONDE BEFUS Morning Worship 9:30 a.m. (Broadcast 10 a.m. WMAX 1480) Sunday School 11:15 a.m. Evening Service 6:00 p.m. Wednesday Service 7:30 p.m.
CALVARY CHRISTIAN REFORMED CHURCH OF LOWELL 1151 West Main Street — 897-8841 REV. RICHARD VANDEKIEFT Worship Service 10 a.m. & 6 p.m. Sunday School 11:15 a.m. Supervised Nursery During All Services	CHURCH OF THE NAZARENE OF LOWELL 201 North Washington Street REV. WILLIAM F. HURT Church School 10:00 a.m. Morning Worship 11:00 a.m. Evening Service 6:00 p.m. Wednesday Mid-Week Service 7:00 p.m. Jr., Teens, Adults Nursery—Come & Worship With Us	FIRST BAPTIST CHURCH OF LOWELL 2275 West Main Street Early Service 5:30 a.m. Sunday School 9:45 a.m. Morning Worship 11:00 a.m. Jr. High Youth Group 5:30 p.m. Evening Service 7:00 p.m. Sr. High Youth Group 8:15 p.m. Wednesday Family Hour 7:30 p.m. DR. DARRELL WILSON — 897-5300	FIRST CONGREGATIONAL CHURCH OF LOWELL (Member United Church of Christ) North Hudson at Spring St., Lowell 897-8209 DR. RICHARD GREENWOOD Morning Worship 10:00 a.m. Church School 10:00 a.m.
FIRST UNITED METHODIST CHURCH OF LOWELL 621 E. Main Street — 897-7514 Worship 8:30 & 11 a.m. Church School 9:45 a.m. GERALD R. BATES, MINISTER Donald L. Buege Assoc. Minister	GOOD SHEPHERD LUTHERAN CHURCH 2287 Segwun, S.E. Lowell, Michigan Sunday School 9:30 a.m. Morning Worship 11:00 a.m. MARK BUCKERT PASTOR Ron Moynihan, Elder 897-9551	LOWELL ASSEMBLY OF GOD 3560 Alden Nash, S.E. (2 miles south of Lowell) Sunday School 9:45 a.m. Morning Worship 11:00 a.m. Evening Worship 6:30 p.m. Wednesday Family Night 7:00 p.m. REV. ROGER E. KUBILIS, PASTOR Phone 897-7947 Come Join Us in Worshipping in Spirit and in Truth	KNOW NOTHING PARTY OR IS THAT REDUNDANT The first national convention of the Know Nothing Party was held June 5, 1855 in Philadelphia, Pa. Originally a secret society, the party also called "The American Party," nominated former President Millard Fillmore as its candidate for office in the 1856 election at a convention earlier that year. Fillmore garnered only eight electoral votes. Examples of the Know Nothing Party material are Fillmore campaign memorabilia are part of the special "Politics U.S.A." exhibit continuing through Labor Day at Henry Ford Museum Dearborn, Mich.
REORGANIZED CHURCH OF JESUS CHRIST OF LATTER DAY SAINTS 8145 — 68th St., S.E., Alta, Mich. HIGH PRIEST DIRK VENEMA PASTOR 868-6292 Church School 9:45 a.m. Worship Service 11:00 a.m. Midweek Prayer Service 7:30 p.m. Evening Worship Service 7:00 p.m.	ST. MARY'S CATHOLIC CHURCH 402 N. Amity FR. THOMAS SCHILLER PASTOR NEW HOURS Saturday Mass 5:30 p.m. Sunday Mass 9 & 11 a.m.	TRINITY LUTHERAN CHURCH (LCA) 2700 East Fulton Road Family Worship Service 9:30 a.m. PASTOR RAYMOND A. HEINE	VERGENNES UNITED METHODIST Corner Parson & Bailey Drive Worship Service 10:00 a.m. Coffee Hour 11:00 a.m. Church School 11:15 a.m. REV. DONALD BUEGE "Little White Church On The Corner"

Society Notes

Newyeds are home



Mr. and Mrs. John Jay Timpson

Coleen Ann Doran and John Jay Timpson, both of Lowell, were united in marriage before Rev. Richard Greenwood in the First Congregational Church on May 17 in a late afternoon ceremony.

The bride is the daughter of John and Gail Doran, 7289 Ingalls Rd., Belding. The groom is the son of John R. and Judy Timpson, 3025 Segwun, Lowell.

Kathy Doran was her sister's Maid of Honor. Bridesmaids were Sue Wittenbach, Chris Doran and Kelly Sparks. Kim Doran was flower girl.

Phil Graham was Best Man and groomsmen were Sean Doran, Jeff Timpson and Greg Canfield. Ushers were Tim Doran and Jeff Timpson.

A reception was held following the ceremony at the Double R Ranch in Smyrna. Master and Mistress of Ceremonies were Ray and Kathie Quada.

Hawkins-Miller vows said

Julie Ann Miller and David L. Hawkins were united in marriage May 10 in St. Anthony's Catholic Church in Saranac. The Rev. Harold Feltman officiated at the 7:30 p.m. ceremony.

Albion graduate



Susan Yost
Susan Yost, daughter of Dr. and Mrs. William Yost of Six Mile Rd. SE, graduated from Albion College on May 10. Susan has her Bachelor of Arts degree and graduated Cum Laude. She is certified in Elementary Education and is an English major. Other honors include being named an Albion Fellow and maintaining a 3.7 grade point average or higher for three consecutive semesters.

The new Mr. and Mrs. Timpson have returned from their honeymoon trip to Jamaica, West Indies and are at home at 71 N. Feuerstein Rd., Belding, Mi.

Card shower for

Lowell resident

Relatives and friends of Mrs. Iva McIntyre of Grand River Dr., Lowell, are wishing her a very happy 90th birthday on Wednesday, June 11.

"Mrs. Mac" is a lifelong resident of Lowell and at one time was a correspondent for the Ledger.

All of her friends who wish to send her a greeting should address it to: Ridgewood Manor, 1095 Medical Park Dr. SE, Grand Rapids. She is presently convalescing there and hopes to return home soon.

USE THE LEDGER CLASSIFIEDS

Engagement told



Nancy Jane Doyle
Mr. and Mrs. William S. Doyle, Sr. of Lowell have announced the engagement

of their daughter, Nancy Jane Doyle, to Jeffrey Scott Molitor, son of Mr. and Mrs. Paul E. Molitor, Sr. of Newburyport, Massachusetts. The wedding will take place on September 6 at Charlottesville, Virginia.

Miss Doyle graduated from Lowell High School and Mary Baldwin College, Staunton, Virginia.

Mr. Molitor, who is the Corporate Planning Department of the Standard Oil Company (Ohio), is a graduate of Governor Dummer Academy in Byfield, Massachusetts, Trinity College in Hartford, Connecticut, and the University of Virginia's College Darden Graduate School of Business Administration, Charlottesville, Virginia.

Call... 897-7534
Open Wed. & Fri. Nite till 9pm
For your Convenience

Dave Clark

PLUMBING & HEATING CO.

309 E. MAIN ST., LOWELL, MI

SPECIALS

TOILET SEAT 100 TM. WHITE SALE \$6.95 Reg. \$12.95

GARBAGE DISPOSAL BADGER I 15E SALE \$42.00 Reg. \$56.00

THIS WEEKS

Dry Cleaning

SPECIAL!

SWEATERS

Only... \$7.49

Good Through Tuesday, June 17

CURTIS DRY CLEANERS

1004 W. Main St. — Lowell
Phone 897-9809

Blue Ribbon Feed

THE FEED PLACE

CORNER OF MAIN & HUDSON STREETS, LOWELL, MICHIGAN 897-5921
Open Monday — Friday 8am — 5pm, Saturdays 9am to 1pm

ANNUAL CHICK DAY

Saturday, June 14, 1980

Buy 100 lbs. of Chick Starter Feed & get 20 free medium heavies.

Bring your own container.

Ducks, Geese, & Turkeys, Available Day Of Sale

Chicks will arrive at 10:00am Extended Hours day of sale.

897-5921

High interest rates hard on businesses

The small businessman's number is up—this time to almost 22 percent. That's the interest rate he has to pay to borrow money. According to Michigan State

University economist Daniel Suits, small businessmen borrow money to buy inventory as a standard mode of operation. Local banks usually loan the money at 1 1/2

percent above the prime interest rate. If prices keep climbing at 18 percent per year, as they did in the past year, businessmen will be able to carry their inventories at no cost.

But if the Carter administration succeeds in controlling inflation, prices will stop climbing at that high rate and borrowers won't be able to pass on loan interest costs to their customers. Suits says.

if it fitz?

By Jim Fitzgerald

I was a visitor at a Lapeer Presbyterian church on a recent Sunday when the minister prefaced his sermon by urging his flock to sign his petition allowing sex education for 7th and 11th graders in local public schools.

A member of the congregation stood up, interrupting the minister in midsentence. He sternly admonished him for making only pro-sex-education petitions available inside the church. The complainer insisted the minister should also provide petitions to be signed by those opposed to the idea.

It was a raw moment. The proposal to expose students to sex education, on a voluntary basis, has been a hotly debated topic in Lapeer for several months. The decision ultimately will be made by the school board. The minister is a candidate for the school board.

Naturally, I was reminded of Pope John Paul II's recent ruling causing a Jesuit priest to quit serving in the U.S. House of Representatives. "Politics is the responsibility of laymen, and a priest should be a priest," the pope said.

That's why I've never run for office. I used to be a chaplain's assistant and I've always believed it would be wrong for me to neglect my duties as a retired semiclergyman in favor of holding a public position where I might influence the tax-exempt status of my backyard and shrine to St. James, which is used only incidentally as a barbecue pit.

And you thought I was going to be serious about the serious question of whether a man of God should be concerned with public issues he can't touch without leaving his pulpit. Well, I am serious. Certainly it is silly of me to equate a chaplain's assistant with any kind of a clergyman. But this is just my frivolous way of making a point. The point is that it is also silly to bar a person from politics simply because he (or she) is a member of the clergy.

I was assistant to several Catholic and Protestant chaplains for 10 months after World War II. It didn't bother any of them that our Army camp was segregated. They hardly seemed to notice that black soldiers weren't allowed to worship in the main chapel on Sunday, but could come in Monday morning to sweep the aisles.

Once I asked one of these white clergymen why he didn't preach against racial injustice. He answered that segregation was the government's business and the clergy shouldn't get involved. I told him war was also the government's business, so how come he joined the government's Army? He said I had the wrong attitude and promised to pray for me.

The prayers didn't help. It is still my attitude that it's good for the clergy to become involved in politics and government. That's where the crucial decisions are made, the decisions that intimately affect all of God's flock. The most fortunate, sheep are those whose shepherd preaches once a week and spends the rest of his time improving the pasture. As the product of a Catholic education, I hate to say a pope isn't infallible, but there you are.

Today it is more important than ever that reasonable members of the clergy speak out beyond the pulpit on social issues. They are needed to counteract the increasing influence of the TV evangelists who are forever oozing into living rooms, curling warts, preaching hellfire, and organizing marches on Washington to demand 2 Bibles in every pot.

These thumping clergymen have the right to speak out, of course. But their more responsible brethren should point out that the thumpers often shout fundamental foolishness. For instance, the chief minister of something called Michigan for Biblical Morality recently said our helicopters failed during the rescue attempt in Iran because, 7 years earlier, the U.S. Supreme Court prohibited state governments from outlawing abortion. Honest, he said that.

I hope that Presbyterian minister is elected to the school board. And I hope these 7th and 11th graders learn about sex in school. It is my attitude that these things are worth praying for, in church or while kneeling around the St. James barbecue pit.



Gordy Hill of Lowell is one of five Aquinas College athletes to participate in national meets. He was a member of a state champion doubles team at the NIAA National Tennis Meet in Kansas City MO May 23-25.

Roger L. Wilson of Lowell was one of 41 senior students in chemical engineering at Michigan Technological University to recently tour a number of industrial plants in the Upper Peninsula and Northern Wisconsin. The trip is part of the requirements for the Bachelor of Science degree in chemical engineering.

Births

Ron and Carrie (Raymor) Metternick are new parents of twin girls born June 7. Amber Lee weighed 8 lbs., 8 oz. and Marie weighed 5 lbs., 14 1/2 oz. Grandparents are Matt and Shirley Metternick of Alto, and Roger and Norma Raymor of Lowell. Great-grandparents are Hattie Metternick of Alto, and Elsworth and Elva Raymor of Lowell.

Bob and Janeal DeNolf of Lowell are the proud parents of a baby boy, Beau Jeffrey. He was born June 2 and weighed 5 lbs. 9 1/2 oz. Grandparents are Bob and Wendy DeNolf of Lowell and Olga Roberts of DeWitt.

I was a visitor at a Lapeer Presbyterian church on a recent Sunday when the minister prefaced his sermon by urging his flock to sign his petition allowing sex education for 7th and 11th graders in local public schools.

A member of the congregation stood up, interrupting the minister in midsentence. He sternly admonished him for making only pro-sex-education petitions available inside the church. The complainer insisted the minister should also provide petitions to be signed by those opposed to the idea.

It was a raw moment. The proposal to expose students to sex education, on a voluntary basis, has been a hotly debated topic in Lapeer for several months. The decision ultimately will be made by the school board. The minister is a candidate for the school board.

Naturally, I was reminded of Pope John Paul II's recent ruling causing a Jesuit priest to quit serving in the U.S. House of Representatives. "Politics is the responsibility of laymen, and a priest should be a priest," the pope said.

That's why I've never run for office. I used to be a chaplain's assistant and I've always believed it would be wrong for me to neglect my duties as a retired semiclergyman in favor of holding a public position where I might influence the tax-exempt status of my backyard and shrine to St. James, which is used only incidentally as a barbecue pit.

And you thought I was going to be serious about the serious question of whether a man of God should be concerned with public issues he can't touch without leaving his pulpit. Well, I am serious. Certainly it is silly of me to equate a chaplain's assistant with any kind of a clergyman. But this is just my frivolous way of making a point. The point is that it is also silly to bar a person from politics simply because he (or she) is a member of the clergy.

I was assistant to several Catholic and Protestant chaplains for 10 months after World War II. It didn't bother any of them that our Army camp was segregated. They hardly seemed to notice that black soldiers weren't allowed to worship in the main chapel on Sunday, but could come in Monday morning to sweep the aisles.

Once I asked one of these white clergymen why he didn't preach against racial injustice. He answered that segregation was the government's business and the clergy shouldn't get involved. I told him war was also the government's business, so how come he joined the government's Army? He said I had the wrong attitude and promised to pray for me.

The prayers didn't help. It is still my attitude that it's good for the clergy to become involved in politics and government. That's where the crucial decisions are made, the decisions that intimately affect all of God's flock. The most fortunate, sheep are those whose shepherd preaches once a week and spends the rest of his time improving the pasture. As the product of a Catholic education, I hate to say a pope isn't infallible, but there you are.

Today it is more important than ever that reasonable members of the clergy speak out beyond the pulpit on social issues. They are needed to counteract the increasing influence of the TV evangelists who are forever oozing into living rooms, curling warts, preaching hellfire, and organizing marches on Washington to demand 2 Bibles in every pot.

These thumping clergymen have the right to speak out, of course. But their more responsible brethren should point out that the thumpers often shout fundamental foolishness. For instance, the chief minister of something called Michigan for Biblical Morality recently said our helicopters failed during the rescue attempt in Iran because, 7 years earlier, the U.S. Supreme Court prohibited state governments from outlawing abortion. Honest, he said that.

I hope that Presbyterian minister is elected to the school board. And I hope these 7th and 11th graders learn about sex in school. It is my attitude that these things are worth praying for, in church or while kneeling around the St. James barbecue pit.

LOWELL WASH ALL

- FULLY LIGHTED, OPEN 24 HOURS
- 700 P.S.I. PRESSURE TO INSTANTLY REMOVE MUD, SALT & DIRT
- 4 SELF-SERVE BAYS FOR CARS, TRUCKS, RV'S, MOTORCYCLES
- 4 POWERFUL VACUUMS YOU NAME IT

1400 W. Main

WHEEL ALIGNMENTS

Get longer tire life, improve gas mileage and enjoy a safer, smoother ride. Here's what we do:

- Check and set front wheel camber, caster and toe to manufacturer's specifications.
- Center the steering wheel in straight-ahead position.
- Check steering gear and linkage.
- Check shocks for proper functioning.

\$14.95 ANY U.S. MAKE CAR

We Align Ford Twin I-Beam Suspensions

W. USE PRECISION EQUIPMENT

Come in Today!

YOUR AUTO SERVICE CENTER, FEATURING...

- Monroe Shocks
- Walker Mufflers
- Spin Balancing
- Full Brake Service
- Delco Freedom Batteries

CALL FOR AN APPOINTMENT

Lowell Tire Co.

2400 W. Main St., Lowell, Michigan Ph. 897-8488

Hours: Monday thru Friday 8:00 A.M. until 6:00 P.M. Saturdays 8:00 A.M. until 1:00 P.M.

HAROLD ZEIGLER FORD

Is Happy To Announce That **VINCE McCAMBRIDGE** Has Joined Their Staff As Used Car Manager

Vince will be selling new & used cars & invites all friends & customers to stop in & say "Hello". He has been active in the Automobile Business in the Lowell Area for 22 years and would like to help you with automobile needs.

Harold Zeigler FORD

11979 East Fulton Lowell, Michigan
Sales: 897-8431 or 897-7934 Service: 897-5335

FALS NOW LEASING ALL MODELS

RENT-A-CAR

LOWELL TOWNSHIP NOTICE

The following ordinance was duly adopted on the 21st of April, 1980 at the regular April meeting of the Lowell Township Board and will become effective on

JULY 15, 1980

ORDINANCE NO. 5-4-80

AN ORDINANCE REGULATING THE USE OF PUBLIC AND PRIVATE SEWERS AND DRAINS, PRIVATE SEWAGE DISPOSAL, THE INSTALLATION AND CONNECTION OF BUILDING SEWERS, AND THE DISCHARGE OF WATERS AND WASTES INTO THE PUBLIC SEWER SYSTEM, AND PROVIDING PENALTIES FOR VIOLATIONS THEREOF, IN LOWELL TOWNSHIP, COUNTY OF KENT, STATE OF MICHIGAN.

BE IT ORDAINED and

AN ORDINANCE REGULATING THE USE OF PUBLIC AND PRIVATE SEWERS AND DRAINS, PRIVATE SEWAGE DISPOSAL, THE INSTALLATION AND CONNECTION OF BUILDING SEWERS, AND THE DISCHARGE OF WATERS AND WASTES INTO THE PUBLIC SEWER SYSTEM, AND PROVIDING PENALTIES FOR VIOLATIONS THEREOF, IN LOWELL TOWNSHIP, COUNTY OF KENT, STATE OF MICHIGAN.

of the other user classes. A user may also be excluded from the "Industrial User" class if it is determined that such user will discharge only segregated domestic strength wastes, or wastes from sanitary conveniences.

BE IT ORDAINED and enacted by the Township Board of Lowell Township, Kent County, State of Michigan, as follows:

ARTICLE I. Definitions:

Unless the context specifically indicates otherwise, the meaning of terms used in this Ordinance shall be as follows:

- Section 1. "B.O.D." (denoting Biochemical Oxygen Demand) shall mean the quantity of oxidation of organic matter under standard laboratory procedure in 5 days at 20 degrees C., expressed in milligrams per liter.
- Section 2. "Building Drain" shall mean that part of the lowest horizontal piping of a drainage system which receives the discharge from soil, waste, and other drainage pipes inside the walls of the building and conveys it to the building sewer, beginning 5 feet outside the inner face of the building wall.
- Section 3. "Building Sewer" shall mean the extension from the building drain to the public sewer or other place of disposal.
- Section 4. "City" shall mean the City of Lowell, State of Michigan, which pursuant to agreement with Lowell Township, is providing treatment of wastewater from Lowell Township.
- Section 5. "City Administrator" shall mean the City Manager of the City of Lowell.
- Section 6. "C.O.D." (denoting Chemical Oxygen Demand) shall mean the total quantity of oxygen required for oxidation of a waste to carbon dioxide and water, expressed in milligrams per liter.
- Section 7. "Chlorine Demand" shall mean the difference between the amount of chlorine applied and the amount of free chlorine available at the end of the contact time, expressed in milligrams per liter.
- Section 8. "Classes of Users" shall mean the division of sanitary sewer works customers into classes by similar process or discharge flow characteristics, as follows:
 - Residential User shall mean an individual home or dwelling unit including mobile homes, apartments, condominiums or multi-family dwellings.
 - Commercial User shall mean any retail or wholesale business engaged in selling merchandise or a service.
 - Institutional User shall mean any educational, religious, or social organization such as a school, church, nursing home, hospital or other institutional user.
 - Governmental User shall mean any federal, state or local government office or government service facility.
 - Industrial User shall mean any manufacturing establishment which produces a product from raw or purchased material. This category shall also refer to any nongovernmental user of publicly owned treatment works identified in the Standard Industrial Classification Manual, 1972, under Divisions A, B, D, E, or I, excluding those users already identified in one

Section 9. "Compatible Pollutant" shall mean biochemical oxygen demand, suspended solids, pH and fecal coliform bacteria, plus any additional pollutants identified in the NPDES permit if the treatment works was designed to treat such pollutants, and in fact can remove such pollutants to a substantial degree. The term substantial degree generally means removals in the order of 80 per cent or greater.

Section 10. "Combined Sewer" shall mean a sewer receiving both surface runoff and sewage.

Section 11. "Debt Service" shall mean expenditures required to retire debts resulting from capital costs of construction.

Section 12. "Garbage" shall mean solid wastes from the domestic and commercial preparation, cooking, and dispensing of food, and from the handling, storage, and sale of produce.

Section 13. "Incompatible Pollutant" shall mean any pollutant that is not a compatible pollutant, as defined in Section 7 above.

Section 14. "Industrial Cost Recovery" shall mean the recovery from each industrial user, as defined, that portion of the U.S. Environmental Protection Agency grant which is allocable to the treatment of industrial wastes from said industries. The Industrial Cost Recovery Charge is defined in Article X of this Ordinance.

Section 15. "Industrial Wastes" shall mean the liquid wastes from industrial, manufacturing processes, trade or business as distinct from segregated domestic strength wastes; or wastes from sanitary conveniences.

Section 16. "Infiltration" shall mean any waters entering the system from the ground, through such means as, but not limited to, defective pipes, pipe joints, connections or manhole walls. Infiltration does not include and is distinguished from inflow.

Section 17. "Infiltration/Inflow" shall mean the total quantity of water from both infiltration and inflow.

Section 18. "Inflow" shall mean any waters entering the system through such sources as, but not limited to, building downspouts, footing or yard drains, cooling water discharges, seepage lines from springs and swampy areas and storm drain cross connections.

Section 19. "Inspector" shall mean any person or persons authorized by the City to inspect and approve the installation of building sewers and their connection to the public sewer system.

Section 20. "Major Contributing Industry" shall mean an industrial user, as defined, that discharges (1) a flow of 50,000 gallons or more per average work day, (2) a flow exceeding five (5) per cent of the total treatment plant flow, (3) toxic pollutants in toxic amounts as defined in the NPDES permit, or (4) a flow with a significant impact on the treatment plant when considered alone or in combination with other industrial users.

Section 21. "Natural Outlet" shall mean any outlet into a water-course, pond, ditch, lake or other body of surface or ground water.

Section 22. "Normal Strength Sewage" shall mean a sanitary wastewater flow containing an average daily BOD of not more than 200 mg/l or an average daily suspended solids concentration of not more than 250 mg/l.

Section 23. "NPDES Permit" shall mean the permit issued pursuant to the National Pollution Discharge Elimination System for the discharge of wastewaters into the waters of the state.

Section 24. "Operation and Maintenance Cost" shall mean all costs, direct and indirect, including replacement costs, necessary to insure adequate wastewater treatment on a continuing basis, conform with all related federal, state, and local requirements, and assure optional long-term facility management. Operation and Maintenance does not include Debt Service.

Section 25. "Person" shall mean any individual, firm, company, association, society, corporation, or group.

Section 26. "pH" shall mean the logarithm of the reciprocal of the concentration of hydrogen ions in grams per liter of solution.

Section 27. "Pretreatment" shall mean the treatment of extra strength industrial wastewater flows in privately owned pretreatment facilities prior to discharge into publicly owned sewage works.

Section 28. "Properly Shredded Garbage" shall mean the wastes from the preparation, cooking, and dispensing of food that have been shredded to such a degree that all particles will be carried freely under the flow conditions normally prevailing in public sewers, with no particle greater than 1/2 inch in dimension.

Section 29. "Public Sewer" shall mean a sewer in which all owners of abutting properties have equal rights, and is controlled by public authority.

Section 30. "Replacement" shall mean necessary expenditures made during the service life of the treatment works to replace equipment and plant appurtenances required to maintain the intended performance of the treatment works.

Section 31. "Sanitary Sewer" shall mean a sewer which carries sewage and to which storm, surface, and groundwaters are not intentionally admitted.

Section 32. "Sewage" shall mean a combination of the water-carried wastes from residences, business buildings, institutions, and industrial establishments, together with such ground, surface, and storm waters as may be present.

Section 33. "Sewage Treatment Plant" shall mean any arrangement of devices and structures used for treating sewage.

Section 34. "Sewage Works" shall mean all facilities for collecting, pumping, treating, and disposing of sewage.

Section 35. "Sewer" shall mean a pipe or conduit for carrying sewage.

Section 36. "Shall" is mandatory; "May" is permissive.

Section 37. "Significant Industry" shall mean any industry which contributes greater than ten (10) per cent of the design flow or design loading of the treatment works.

Section 38. "Slug" shall mean any discharge of water, sewage or industrial waste which in concentration of any given constituent or in quantity of flow exceeds for any period of duration longer than 15 minutes more than 5 times the average 24 hours concentration or flows during normal operation.

Section 39. "Storm Drain" (sometimes termed "storm sewer") shall mean a sewer which carries storm and surface waters and drainage, but excludes sewage and industrial wastes, other than unpolluted cooling water.

Section 40. "Superintendent" shall mean the Superintendent of Sewage Works of the City of Lowell, or his authorized deputy, agent, or representative.

Section 41. "Suspended Solids" shall mean solids that either float on the surface of, or are in suspension in, water, sewage, or other liquids, and which are removed by laboratory filtering.

Section 42. "Township" shall mean Lowell Township, Kent County, Michigan.

Section 43. "User Charge" shall mean the charge levied on all users of the treatment works for the cost of operation and maintenance, including replacement of such treatment works.

Section 44. "Watercourse" shall mean a channel in which a flow of water occurs, either continuously or intermittently.

Section 45. "Wye Branch" shall mean a local service connection to the sewer that is made at an angle similar to a "wye" so that a sewer cleaning rod will not come into the sewer at a right angle and penetrate the far side, but will travel down the course of the sewer.

Section 46. "Privy" shall mean an outdoor toilet.

Section 47. "Privy Vault" shall mean an outdoor toilet with a lined vault.

Section 48. "Septic Tank" shall mean an underground tank in which waste matter is putridified and decomposed through bacterial action.

Section 49. "Cesspool" shall mean a walled-up hole in the ground into which the house sewer pipe emptied and from which liquids seep away through the soil.

Section 50. "Grinder Pump Station" shall mean a pumping station into which a building sewer directly discharges and shall be considered a part of the public sewer.

Section 51. "Operator" shall mean the agent of the Township designated as being responsible for the operation of the sewage works.

Section 52. "Sewer Use Charge" shall mean the charge levied on all users of the treatment works for the cost of operation, maintenance, replacement and debt service charges.

ARTICLE II: Use of Public Sewers Required:

Section 1. It shall be unlawful for any person to place, deposit, or permit to be deposited in an unsanitary manner upon public or private property within the Township of Lowell, or in any area under the jurisdiction of said Township, any human or animal excrement, garbage, or other objectionable waste.

Section 2. It shall be unlawful to discharge to any natural outlet within the Township or in any area under the jurisdiction of said Township, any sewage or other polluted waters, except where suitable treatment has been provided in accordance with subsequent provisions of this ordinance.

Section 3. Except as hereinafter provided, it shall be unlawful to construct or maintain within the Township any privy, privy vault, septic tank, cesspool, or other facility intended or used for the disposal of sewage.

Section 4. The owner of all houses, buildings, or properties used for human occupancy, employment, recreation, or other purposes, situated within the Township, and abutting on any street, alley or right-of-way in which there is now located or may in the future be located a public sanitary or combined sewer of the Township, is hereby required at this expense to install suitable toilet facilities therein, and to connect such facilities directly with the proper public sewer in accordance with the provisions of this ordinance, within ninety (90) days after date of official notice to do so, provided that said public sewer is within two hundred (200) feet of the property line.

Section 5. Any industry or structure discharging industrial wastes to the sanitary sewer, storm sewer or receiving stream shall file the material listed below with the Superintendent and the City Administrator.

The City Administrator may require each person who applies for or receives sewer service, or through the nature of the enterprise creates a potential environmental problem, to file the material listed below:

(a) File a written statement setting forth the nature of the enterprise, the source and amount of water used, the amount of water to be discharged, with its present or expected bacterial, physical, chemical, radioactive, or other pertinent characteristics of the wastes.

(b) Provide a plan map of the building, works, or complex, with each outfall to the surface waters, sanitary sewer, storm sewer, natural watercourse, or groundwaters noted, described, and the waste stream identified.

(c) Sample, test, and file reports with the Superintendent and the appropriate State agencies on appropriate characteristics of wastes on a schedule, at locations, and according to methods outlined in Article V, Section 6, of this Ordinance.

(d) Place waste treatment facilities, process facilities, waste streams, or other potential waste problems under the specific supervision and control of persons who have been certified by an appropriate state agency as properly qualified to supervise such facilities.

(e) Provide a report on raw materials entering the process or support system, intermediate materials, final product, and waste by-products as those factors may affect waste control.

(f) Maintain records and file reports on the final disposal of specific liquid, solid, sludges, oils, radioactive materials, solvents or other wastes.

(g) If any industrial process is to be altered as to include or negate a process waste or potential waste, written notification shall be given to the Superintendent subject to approval.

ARTICLE III. Private Sewage Disposal:

Section 1. Where a public sanitary or combined sewer is not available under the provisions of Article II, Section 4, the building sewer shall be connected to a private sewage disposal system complying with the provisions of this article.

Section 2. Before commencement of a private sewage disposal system the owner shall first apply to Kent County Health Department for a soil evaluation test. At completion of above soil evaluation test showing positive results, property owner shall apply for a Permit for Installation of the proposed sewage system. He shall include plans, specifications and other information as deemed necessary by the Kent County Health Department.

Section 3. A permit for a private sewage disposal system shall not become effective until the installation is completed to the satisfaction of the Kent County Health Department. The County Health Department shall be allowed to inspect the work at any stage of construction and, in any event, the applicant for the permit shall notify the Kent County Health Department when the work is ready for final inspection, and before any underground portions are covered.

Section 4. The type, capacities, location and layout of a private sewage disposal system shall comply with all recommendations of the Kent County Health Department. No permit shall be issued for any private sewage disposal system employing subsurface soil absorption facilities where the area of the lot is less than 12,000 square feet. No septic tank or cesspool shall be permitted to discharge to any public sewer or natural outlet.

Section 5. At such time as a public sewer becomes available to a property served by a private sewage disposal system, as provided in Article III, Section 4, a direct connection shall be made to the public sewer in compliance with this ordinance and any septic tanks, cesspools, and similar private sewage disposal facilities shall be abandoned and filled with suitable material.

Section 6. The owner shall operate and maintain the private sewage disposal facilities in a sanitary manner at all times, at no expense to the Township.

Section 7. No statement contained in this article shall be construed to interfere with any additional requirements that may be imposed by the Township.

Section 8. When public sewer becomes available, the building sewer shall be connected to said sewer within six months and private sewage disposal system shall be cleaned of any sludge and filled with clean bank-run gravel or dirt.

ARTICLE IV. Building Sewers and Connections:

Section 1. No unauthorized person shall uncover, make any connection, with or opening into, use, alter, or disturb any public sewer or appurtenance thereof without first obtaining a written permit from the City Administrator.

Section 2. There shall be two (2) classes of building sewer permits: (1) For residential and commercial service, and (2) for service to establishments producing industrial wastes. In either case, the owner or his agent shall make application on a special form furnished by the City of Lowell. The permit application shall be supplemented by any plans, specifications, or other information considered pertinent in the judgment of the Inspector. permit and inspection fee of \$15.00 for a residential or commercial building sewer permit, and \$25.00 for an industrial building sewer permit shall be paid to the City Treasurer at the time the application is filed. The amount of the inspection fee may be amended from time to time by resolution of the Township Board.

Section 3. All costs and expense incident to the installation and connection of the building sewer shall be borne by the owner. The owner shall indemnify the Township from any loss or damage that may directly or indirectly be occasioned by the installation of the building sewer.

Section 4. A separate and independent building sewer shall be provided for every building, except where one building stands at the rear of another or an interior lot and no private sewer is available or can be constructed to the rear building through an adjoining alley/court, yard, or driveway, the building sewer from the front building may be extended to the rear building and the whole considered as one building sewer.

Section 5. Old building sewers may be used in connection with new buildings only when they are found, on examination and test by the Inspector, or his representative, to meet all requirements of this Ordinance.

Section 6. The size, slope, alignment, materials of construction of a building sewer, and the methods to be used in excavating, placing of the pipe, jointing, testing and backfilling the trench, shall all conform to the requirements of the building and plumbing codes of the Township, or other applicable rules and regulations or the City of Lowell. In the absence of code provisions or in amplification thereof, the materials and procedures set forth in appropriate specifications of the American Society for Testing Materials (A.S.T.M.) and the Water Pollution Control Federation (W.P.C.F.) Manual of Practice No. 9 shall apply.

Section 7. Whenever possible, the building sewer shall be brought to the building at an elevation below the basement floor. In all buildings in which may building drain is too low to permit gravity flow to the public sewer, sanitary sewage carried by such building drains shall be lifted by an approved means and discharged to the building sewer.

Section 8. No person shall make connection of roof downspouts, exterior foundation drains, areaway drains, or other sources of surface runoff or groundwater to a building sewer or building drain which in turn is connected directly or indirectly to a public sanitary sewer.

Section 9. The connection of the building sewer into the public sewer shall conform to the requirements of the building and plumbing code or other applicable rules and regulations of the City of Lowell, or the procedures set forth in appropriate specifications, which shall require that the connections shall be made gas-tight and water-tight.

Any deviation from the prescribed procedures and materials must be approved by the Inspector, or his representative, before installation.

Section 10. The applicant for the building sewer permit shall notify the City Administrator when the building sewer is ready for inspection and connection to the public sewer. The connection shall be made under the supervision of the Inspector, or his representative.

Section 11. All excavating for building sewer installation shall be adequately guarded with barricades and lights so as to protect the public from hazard. Streets, sidewalks, parkways, and other public property disturbed in the course of the work shall be restored in a manner satisfactory to the Township and the County Road Commission.

Section 12. No connections will be allowed unless there is capacity available in downstream sewers, pump stations, interceptors, force mains and treatment plant, including capacity for B.O.D. and suspended solids in the treatment plant.

ARTICLE V. Use of the Public Sewers

Section 1. No person shall discharge or cause to be discharged any storm water, surface water, groundwater, roof runoff, subsurface drainage, uncontaminated cooling water, or unpolluted industrial process waters to any sanitary sewer.

Section 2. Storm water and all other unpolluted drainage shall be discharged to such sewers as are specifically designated as combined sewers or storm sewers, or to a natural outlet approved by the appropriate state agency. Industrial cooling water or unpolluted process waters may be discharged, upon approval of the appropriate state agency, to a storm sewer or natural outlet.

Section 3. Except as hereinafter provided by specific limits, no person shall discharge any of the following described waters or wastes to any public sewer:

- BOD₅ in excess of 200 mg/l/
- COD in excess of 450 mg/l.
- Chlorine demand in excess of 15 mg/l.
- Color, as from but not limited to dyes, inks, vegetable tanning solutions, shall be controlled to prevent light absorbancy which would interfere with treatment plant processes or that prevent analytical determinations.
- Explosive liquid, solid, or gas, gasoline, benzene, naphtha, fuel oil, or other flammables shall not be admitted.
- Garbage not properly shredded (no particle size greater than 1/2 inch).
- Grease, oils, wax, fat, whether emulsified or not, in excess of 50 mg/l; or other substances which may solidify or become viscous at temperatures between 32 degrees F. and 150 degrees F. shall not be admitted to the sanitary sewer.
- Industrial wastes in concentrations above those listed below shall not be allowed to enter sanitary sewers.

CD	0.1 mg/l	Limitations as stated or as set forth by appropriate state agencies to comply with Federal Guidelines for protection of treatment plant and receiving watercourse or as set forth in NPDES Permit.
CN	0.1 mg/l	
Cr + 6	2.0 mg/l	
Cr Total	1.0 mg/l	
Cu		
Fe		
Ni	1.0 mg/l	
Pb		
Phenols		
Zn	3.0 mg/l	

or any other metallic compounds in sufficient quantity to impair the operations of the sewage treatment processes.

- Inert suspended solids (such as but not limited to Fullers earth, lime slurries, and lime residues) or of dissolved solids (such as but not limited to sodium chloride and sodium sulfate) in unusual concentrations shall not be allowed.
- Insoluble, solid or viscous substances such as but not limited to ashes, mud, straw, shavings, metal, glass, tar,

feathers, plastics, wood, hair, fleshings, clothing, etc., shall not be admitted to sanitary sewers.

- Noxious or malodorous gas, such as but not limited to hydrogen sulfide, sulphur dioxide, or oxides of nitrogen, and other substances capable of public nuisance shall not be allowed.
- pH less than 6.5 and greater than 9.5 shall not be allowed.
- Radioactive wastes or isotopes of such half-life or concentration which may exceed limits established by applicable state and federal regulations, shall not be allowed.
- Suspended solids in excess of 250 mg/l/
- Temperature of wastes less than 32 degrees F. and greater than 150 degrees F. shall not be allowed.
- Waters or wastes containing substances which damage or clog the collection system or are not amenable to treatment or reduction by the sewage treatment processes employed, or are amenable to treatment to only such degree that the sewage treatment plant effluent cannot meet the requirements of other agencies having jurisdiction over discharge to the receiving waters.
- No discharges will be allowed that would result in excess foaming during the treatment process. Excess foaming is any foam which, in the opinion of the Superintendent, is a nuisance in the treatment process.

Section 4. If any waters or wastes are discharged, or are proposed to be discharged to the public sewers, which waters contain the substances or possess the characteristics enumerated in Section 3 of this Article, and which in the judgment of the Superintendent may have a deleterious effect upon the collection system, sewage works, processes, equipment, or receiving waters, or which otherwise create a hazard to life or constitute a public nuisance, the City of Lowell may:

- Reject the wastes.
- Require pretreatment to the level defined as "Normal Domestic Sewage".
- Require control over the quantities and rates of discharge.
- Require payment to cover the added cost of handling and treating the wastes not covered by existing taxes, sewer charges, under the provisions of Section 9 of this Article.
- Require new industrial customers or industries with significant changes in strength or flow to submit prior information to the City concerning the proposed flows.

If the City of Lowell permits the pretreatment or equalization of waste flows, the design and installation of the plants and equipment shall be subject to the review and approval of the Superintendent, and subject to the requirements of all applicable codes, ordinances and laws.

Section 5. Grease, oil, and sand interceptors shall be provided when, in the opinion of the Superintendent, they are necessary for the proper handling of liquid wastes containing grease in excessive amounts, or any flammable wastes, sand, or other harmful ingredients; except that such interceptors shall not be required to private living quarters or dwelling units. All interceptors shall be of a type and capacity approved by the Superintendent, and shall be located as to be readily and easily accessible for cleaning and inspection by the Owner.

Section 6. Where preliminary treatment or flow equalizing facilities are provided for any waters or wastes, they shall be maintained continuously in satisfactory and effective operation, by the owner at his expense.

Section 7. When required by the City of Lowell, the owner of any property services by a building sewer carrying industrial wastes shall install a suitable control manhole together with such necessary meters and other appurtenances in the building sewer to facilitate observation, sampling and measurement of the wastes. Such manhole, when required, shall be accessibly and safely located, and shall be constructed in accordance with plans approved by the City Administrator. The manhole shall be installed by the owner at his expense, and shall be maintained by him so as to be safe and accessible at all times.

Section 8. All measurements, tests, and analyses of the characteristics of waters and wastes to which reference is made in this ordinance shall be determined in accordance with the most recent edition of "Standard Methods for the Examination of Water and Sewage", and shall be determined at the control manhole provided for, or upon suitable samples taken at said control manhole. In the event that no special manhole has been required, the control manhole shall be considered to be the nearest downstream manhole in the public sewer to the point at which the building sewer is connected.

Sampling shall be carried out by customarily accepted methods to reflect the effect of constituents upon the sewage works and to determine the existence of hazards to life, limb, and property. The particular analyses involved will determine whether a 24 hour composite of all outfalls of a premise is appropriate or whether grab sample or samples should be taken. The responsibilities of industry are further defined in the Industrial Waste Control Program, shown below:

INDUSTRIAL WASTE CONTROL PROGRAM

A. One person from each industry should be delegated the authority to be responsible for industrial wastes admitted to the municipal sewers. He would be involved with maintaining the pretreatment facility operations and assuring a continual high level of performance. In case no pretreatment is provided, he would be involved with prevention of accidental discharges of process wastes admitted to the sanitary sewer system. He must become aware of all potential and routine toxic wastes generated by his industry. He must be informed of all process alterations which could, in any manner, increase or decrease normal daily flow or waste strength discharged to the sanitary sewers.

B. This industrial representative must catalog all chemicals stored, used, or manufactured by his industry. Such a listing should include specific chemical names - not manufacturer's codes. Those wastes admitted to the sanitary sewer are a prime concern - however, all discharges should be catalogued. An estimate of daily average flows and strengths must be made including process, cooling, sanitary, etc. Such a determination should separate the flows according to appropriate categories. The aforementioned flow and chemical listing is to be sent to the City Administrator and must be treated as confidential information.

C. The industrial representative should attempt to determine whether or not large process alterations will occur during the next few years; one year, two years, five years. He should consult with the management to determine if such alterations are scheduled and forthcoming.

D. A sketch of the plant building(s) must be made, including a diagram of process and chemical storage areas. Location of any pretreatment equipment should be indicated and floor drains located near process and storage areas should be noted. Manhole and sewer locations at the industry's point of discharge into the municipal collection system should be included on the plant layout sketch.

E. There must be separation of spent concentrates from the sanitary sewer to prevent toxic wastes from upsetting the municipal biological treatment plant. Supervision and operation of the pretreatment equipment for spent concentrates as well as all toxic wastes and high strength organic wastes to an acceptable level as detailed in the Township's sewer use ordinance is the responsibility of the industrial representative. All sludges generated by such treatment must be handled in an acceptable manner - such as in designated areas of a sanitary landfill or by a licensed waste hauler. Adequate segregation of those waters and wastes to be pretreated to meet discharge limits is a vital portion of the industrial effort to prevent operational problems at the wastewater treatment plant.

F. Throughout the industry adequate secondary containment or curbing must be provided to protect all floor drains from accidental spills and discharges to the receiving sewers. Such curbing should be sufficient to hold 150% of the total process area tank volume. All floor drains found within the containment area must be plugged and sealed. Spill trough or sumps within process areas must discharge to appropriate pretreatment tanks. Secondary containment should be provided for storage tanks which may be serviced by commercial haulers and for chemical storage areas.

G. An adequate sampling vault or manhole must be provided in an accessible place for municipal treatment plant personnel to obtain samples and flow measurement data. The complexity of the vault will vary with the sampling requirements the City determines necessary to protect the treatment plant and receiving stream. Should the City desire continual flow recording and long duration, 24 hour composite sampling, then a more complex manhole would be mandatory - complete with 110 volt AC. Samples collected could be divided between the industry and City for analysis if so desired by the industry. The sampling vault should be located so as to give access by City personnel without entering the industrial property.

H. A yearly surveillance fee may be initiated to reduce some equipment costs or for maintenance of monitoring devices. If a graduated surcharge is deemed necessary to check industrial discharges, then a factor should be incorporated to reduce the costs as industry lowers its waste strength. Consequently, a direct dollar incentive would be given to stimulate continued progress in industrial waste control. A graduated surcharge may not be required if industry provides adequate safe-guard devices and treatment facilities to insure protection of the municipal treatment plant and biological processes involved.

Section 9. No statement contained in this article shall be construed as preventing any special agreement or arrangement between the City of Lowell and any industrial concern whereby an industrial waste of unusual strength or character may be accepted by the City for treatment, subject to payment according to the rates contained in Section 3 of Article VIII of this Ordinance.

Section 10. Industrial cooling water containing such pollutants as insoluble oils or grease or other suspended solids shall be pretreated for removal of the pollutants and then discharged to the storm sewer.

Section 11. Agents of the Township, City, Michigan Department of Natural Resources or U.S. Environmental Protection Agency shall have the right to enter all properties for the purpose of inspecting, measuring, sampling and testing the wastewater discharge.

ARTICLE VI. Protection from Damage

Section 1. No authorized person shall maliciously, willfully, or negligently break, damage, destroy, uncover, deface or tamper with any structure, appurtenance, or equipment which is part of the municipal sewer works.

ARTICLE VII. Powers and Authority of Inspectors

Section 1. The Superintendent and other duly authorized employees of the City of Lowell, bearing proper credentials and identification shall be permitted to enter upon all properties for the purpose of inspection, observation, measurement, sampling, and testing in accordance with the provisions of this Ordinance. The Superintendent or his representatives will have no authority to inquire into any processes including metallurgical, chemical, oil, refining, ceramic, paper, or other industries beyond that point having a direct bearing on the kind and source of discharge to the sewers and waterways or facilities for waste treatment.

Section 2. While performing the necessary work on private properties referred to in Article VII, Section 1 above, the Superintendent or duly authorized employees of the City of Lowell shall observe all safety rules applicable to the premises established by the Company and the Company shall be held harmless for injury or death to the City employees and the City of Lowell shall indemnify the claims and demands for personal injury or property damage asserted against liability claims and demands for personal injury or property damage asserted against the Company and growing out of the gaging and sampling operation, except as such may be caused by negligence or failure of the Company to maintain safe conditions as required in Article V, Section 8.

ARTICLE VIII. Conditions of Service

Section 1. At the time of original construction of the public sewer, the Township shall install that portion of the building sewer from the public sewer to the lot or easement line of all occupied premises. The Township has entered into a service agreement with the City of Lowell which the City of Lowell will maintain the public sewer. Those customers making connections at the time of original construction of the public sewer shall install, at their expense, that portion of the building sewer from said lot or easement line to their premises. The customer shall maintain, at their expense, the building sewer.

Section 2. Those customers making connections subsequent to the time of original construction of the public sewer shall install, at their expense, that portion of the building sewer from the public sewer to the lot or easement line in addition to that portion of the building sewer from said lot or easement line to their premises.

Section 3. The Township shall, in no event, be held responsible for claims made against it by reason of the breaking of any mains or service

laterals, or by reason of any other interruption of the service caused by the breaking of machinery or stoppage for necessary repairs; and no person shall be entitled to damages nor have any portion of a payment refunded for any interruption.

Section 4. The premises receiving sanitary sewer service shall, at all reasonable hours, be subject to inspection by duly authorized personnel of the Township.

Section 5. These rules may be changed or amended.

ARTICLE IX. User Charge System

Section 1. Sewer Use Charge. Sewer use charges to each single-family residential premises connected to the M-21 Interceptor System shall be in the flat amount of \$6.00 per month. Each user other than a single-family residence shall pay a monthly charge of \$6.00 multiplied by a factor representing a ratio of sewage use by such class of users to normal single-family residential sewage use, as reflected in Appendix A, but not less than \$6.00. The Sewer Use Charge shall cover the cost of operation, maintenance and replacement of the treatment works and required debt service charges. Initially, \$0.0 of the monthly use charge rate shall be allocated for debt service.

Section 2. Excess Charges. Included shall be the following:

Extra strength wastewater shall be as Biochemical Oxygen Demand (BOD) exceeding 200 milligrams per liter shall be charged for at \$0.04/pound.

Suspended Solids (SS) exceeding 250 milligrams per liter shall be charged at \$0.06/pound.

Section 3. The Township shall have the right to adjust the Sewer Use Charge based on a biennial audit review of the system operation, maintenance, replacement and debt service costs. Such an audit review shall be conducted once every two years by the Township.

Section 4. The operation, maintenance, and management of the system shall be under the supervision and control of the City of Lowell by agreement with Lowell Township. The billing to customers and collection of sewer use charges will be the responsibility of the Township. Pursuant to the service agreement between Lowell Township and the City of Lowell, the Township has retained the services of the City to handle the billing and collections.

ARTICLE X. Industrial Cost Recovery System

Section 1. Each Industrial User, as defined in the municipal sewer use ordinance, that discharges to the Lowell sewage treatment facility will be subject to an industrial cost recovery charge that will recover from each industrial user that portion of Federal Grants No. (Reserved) and (Reserved) which is allocable to the cost of treating and conveying the industrial wastes

Section 2. An Industrial User, for the purpose of the Industrial Cost Recovery System, shall be a user as defined in the municipal sewer use ordinance, except that user which discharges less than 25,000 gallons per day of sanitary waste or a volume of process waste, or combined process and sanitary waste equivalent to 25,000 gallons per day or less of sanitary waste if the discharge does not contain pollutants which interfere, or are incompatible with, or contaminate, or reduce the utility of sludge.

Section 3. The Industrial Cost Recovery Charges shall be paid annually for a period of thirty years, based on the following charges:

- Flow Charge - (Reserved)
- BOD Charge - (Reserved)
- SS Charge - (Reserved)

Section 4. Costs recovered from Industrial Users shall be deposited in the Township in a separate account identified as the Industrial Cost Recovery Account. Funds shall be distributed from the Industrial Cost Recovery Account in accordance with U.S. Environmental Protection Agency rules

ARTICLE XI. Penalties

Section 1. Any person found to be violating any provision of this Ordinance except Article VI shall be served with written notice stating the nature of the violation and providing a reasonable time limit for the satisfactory correction thereof. The offender shall, within the period of time stated in such notice permanently cease all violations.

Section 2. Any person convicted of a violation of any provision of this Ordinance shall be punished by a fine of not more than \$500 or by imprisonment of not more than 90 days or by both such fine and imprisonment.

A violation of this Ordinance is also declared to be a public nuisance and the Township may enforce same by injunction or other remedy, including the right to correct the violation and bill the owner or person in charge of the premises therefor.

Section 3. Any business, industry or individual violating any of the provisions of this Ordinance, which results in fines or penalties being levied against the Township or City of Lowell, shall become liable for said fine or penalty, plus any expenses, loss or damage occasioned by such violation. This fine or penalty, plus expenses, would be levied in addition to the fine identified in Section 2 of this Article.

ARTICLE XII. Validity

Section 1. All ordinances or parts of ordinances in conflict herewith are hereby repealed.

Section 2. The invalidity of any section, clause, sentence, or provision of this Ordinance shall not affect the validity of any other part of this Ordinance which can be given effect without such invalid part or parts.

ARTICLE XIII. Ordinance in Force

Section 1. This Ordinance shall be in full force and effect from and after its passage, approval, recording, and publication as provided by law.

TOWNSHIP OF LOWELL
By Carol L. Wells, Clerk

Saranac Millage Passes

Saranac schools have some breathing space thanks to voter approval on Monday, June 9 of a 9 mill renewal and an additional one mill for operation for one year.

The 9-mill renewal passed by a vote of 335 to 175. The additional mill passed by a vote of 262 to 244.

76 graduate at SHS

Saranac High School graduated 76 seniors on Sunday, June 8 in an open-air ceremony on the high school football field.

Valedictorian was Sheryl Kimball and Salutatorian was Deborah Adams. In their addresses to their classmates and families, both Miss Kimball and Miss Adams urged a commitment to personal growth for each individual. Thomas Schick, Saranac High School government and history teacher, was the guest speaker and his advice to the graduates was "don't stop learning."

Incumbents Lynda Sickelsteel and Ralph Johnson were unopposed and, predictably, were returned to the Board of Education for four year terms. Sickelsteel had 436 votes and Jackson had 452 votes.

More than \$150,000 has already been cut from the budget including the loss of 11 employees, and several athletic and extracurricular activities. The passage of both millage requests means that an additional cut of \$51,000 has been forestalled.

FURNITURE CENTENNIAL June 2 through July 6, the Grand Rapids Public Museum will hold the "Stow/Davis" Centennial Exhibit. One of Grand Rapids' furniture companies celebrates its 100th anniversary with an exhibit.

Two hurt in head-on

Two people were injured when a truck and car collided head-on Thursday afternoon, June 5, near Saranac.

State Police said the accident occurred about 6:25 p.m. on Hawley Highway north of Potter Road when a pickup truck allegedly driving on the wrong side of the road hit a car head-on.

Harrison Young, 48, of Cedar Springs, the driver of the truck, was trapped in his truck and extricated by rescuers using a jaws of life rescue tool. He is in Blodgett Hospital in Grand Rapids with a fractured hip, troopers said.

John Gistingier, 16, of Saranac, the driver of the car, was taken to Ionia County Memorial Hospital for treatment of facial lacerations, police said.

Open house

An Open House in honor of Scott Mackey's graduation from Saranac High School's Adult Education will be held on Saturday, June 21 from 4-9 p.m. at the Dave Mackey residence, 122 Center St., Saranac.

FROM GRANDPARENTS TO COLLEGE KIDS - Hometown news all year is a great gift. The Grand Valley Ledger: \$6 a year in Kent & Ionia Co., \$8 elsewhere.

Off The Blotter Ionia Co. Sheriff's deputies reported that Charles Phillips, 122 Bridge St. was fined \$20 for speeding.

State Police ticketed Kim Treynor, Pleasant St., for driving too fast for conditions and he paid \$24. Patsy Booms, 8801 Peck Lake Rd., paid \$20 for speeding.

Cindy Theisen, 178 Division St., paid \$20 for improper positioning of passengers, according to the Ionia Police.

Michael K. Topp, 155 Liberty St. and his passenger were slightly injured when the car they were in went out of control and rolled over near Saranac on Wednesday, June 4. In trying to avoid a deer in the roadway, Topp told Sheriff's deputies that he lost control of the vehicle.

Ionia Sheriff's Department reports that Gaylord Miller Jr., 50 1/2 Mill St. was cited for speeding and fined \$20.

State Police report that Danny Delinsky, 9260 Centerline Rd., was cited for failure to maintain equipment and was fined \$15. He was also issued a violation for speeding and fined \$30. Linda Prins, 5279 Ivan Rd., was fined \$20 for speeding.

MUZZLE LOADERS FESTIVAL Hundreds of costumed sharpshooters with muzzle-loading weapons will convene at Greenfield Village June 21-22. Civil War competition, marching bands and special craft displays recreate American's frontier days.

4-H needs youth art

"Budding young Ionia County artists interested in showcasing their creative skills should enter the 1980 National 4-H Poster Art Program," says Marv King, Ionia County 4-H Youth Agent.

To participate in the program, young people should design 14 x 22" posters in one of this year's categories. These include: 4-H Learning For A Lifetime, and 4-H-The Pathway To Leadership. There's also an open division, which allows 4-H'ers to create their own themes and artwork.

Poster artists must currently be enrolled in the 4-H program. They must submit their posters by August 15 to the county Cooperative Extension Service office.

Posters may be horizontal or vertical and may be executed in any medium, as long as they are not three-dimensional. Use of copyrighted characters like those in "Peanuts" is prohibited.

From entries received statewide, one poster will be selected to represent Michigan in the National Poster Program exhibit. At the national level, one design will be selected to serve as the National 4-H Poster for two years. This poster will be distributed nationwide.

For more information about the 4-H Poster Art Program and copies of the program guidelines, contact Marv King at the Ionia County Cooperative Extension Service office, or call 1-616-527-1400.

COOK HAMBURGERS IN MICROWAVE

The following recommendations are made for cooking 4-ounce ground beef patties, shaped approximately 1/2 inch thick and 4 1/2 inches in diameter, on high power. Times should be used only as guidelines.

• 4-ounce patties (cooked individually): 1 minute 15 seconds plus 1 minute standing time. (Invert after 45 seconds, invert to original position before standing time.)

• 4-ounce patties (cooked in pairs): 2 minutes 30 seconds plus 1 minute standing time. (Rotate patties after cooking 1 minute.)

• 4-ounce patties (cooked in groups of 4): 3 minutes 30 seconds plus 1 minute standing time. (Rotate patties after cooking 2 minutes.)

For 5 1/2-ounce patties, increase above cooking times by 30 seconds and standing time by 1 minute. Invert or rotate as directed approximately halfway through cooking time.

ESTATE PLANNING IS 100 QUESTIONS

How should I word my designation of insurance beneficiary? Should I set up a trust fund? AND THE RIGHT ANSWERS.

Date Johnson
1940 28th Street
Grand Rapids
Phone 241-1609

FARM BUREAU INSURANCE GROUP

A BROKEN HYDRAULIC HOSE CAN COST YOU HUNDREDS OF DOLLARS...

... in idle equipment, idle work crews, and jobs left undone while you wait for a replacement hose assembly to be shipped by the equipment manufacturer.

But it doesn't have to...

WE MAKE HOSE ASSEMBLIES WHILE YOU WAIT ... assemblies which are exactly like the original, and better! To put your men and equipment back to work fast and save you money.

Howboat
AUTOMOTIVE SUPPLY, INC.
1450 W. Main St., Lowell Phone 897-9231

SARANAC COMMUNITY CHURCH

[United Church of Christ]
125 Bridge St., Saranac, MI

DIAL-A-PRAYER - 642-9659

Morning Worship 10:00 a.m.
Sunday School 11:15 a.m.

THE REV. EDWIN MENDENHALL
642-6322

GALILEE BAPTIST CHURCH OF SARANAC

Corner of Orchard & Pleasant

Sunday School 10:00 a.m.
Morning Worship 11:00 a.m.
Evening Worship 7:00 p.m.
Young Peoples' Afterglow 8:30 p.m.
Wed.-Family Night 6:30-8:30 p.m.

REV. JAMES FRANK
642-9174 - 642-9274
(Nursery & Children's Churches)

Grads & Dads Check List:

- SHIRTS
- WALLETS
- PAJAMAS
- SOCKS
- BELTS
- TIES
- SHORT SLEEVED SHIRTS

★ Free Alterations
★ Gift Certificates
★ Free Gift Wrap

REMEMBER YOU CAN SHOP IN LOWELL WEDNESDAY & FRIDAY UNTIL 8:00PM

STORE HOURS:
Mon., Tue. & Sat. 9:30am to 6pm
Wed., Thur. & Fri. 9:30am to 8pm

Pfaller's Riverfront Clothing, Inc.
103 E. MAIN STREET, LOWELL, MICHIGAN PH. 897-6411

Six (6) girls make TCAA All-Conference

Six Saranac varsity softball players have been named to the Tri-Central Athletic Association All-Conference team.

First baseman Deb Stuart, third baseman Diane Hubbard, Shortstop Hollene Opdycke Lowetz and outfielder Lisa Eddy were First Team selections. Teammates Barb Snay and Wendy Sheldon were named as Second Team selections.

Stuart led the Redskins with a .500 batting average, .968 fielding percentage, 19 walks, 20 hits, four doubles, three triples and "a lot of unassisted plays at first," according to her coach, Barb Vezino.

Hubbard—a .410 hitter—led Saranac with 25 runs scored, 14 stolen bases and three sacrifices. She also had a .903 fielding percentage. Opdycke Lowetz, a senior,

batted .349 with 26 fielding assists and a .886 fielding percentage.

Eddy—a sophomore—led the team with three home runs while logging a .389 batting average. She also fielded at a .750 clip.

Snay made the Second Team by virtue of a .459 batting average and struck out only once in TCAA play. She fielded at a .875 clip. Sheldon—the team's

pitcher—finished the league campaign with a 10-2 record and a 6.72 earned run average. She faced 271 batters in 65½ innings and allowed 81 runs on 50 hits, including three doubles, one home run and 142 walks. She struck out 38 opposing batters. Sheldon also carried a .303 batting average.

Saranac finished the TCAA race with an 11-3 record and its fourth consecutive league title.

NEW EXHIBITS

"City's Attic" is an exhibit at the Grand Rapids Public Museum featuring many of the artifacts that have been stored in the Museum's attic. Some have never been on exhibit before.

PUBLIC AUCTION

By Order of the City Treasurer for Unpaid Personal Property Taxes We will sell at Public Auction the Assets of Eden's Garden of Hair Design, East Village Mall, 1550 Lake Drive SE, Grand Rapids, MI (on these premises) Thursday, June 19, 1980 beginning at 11:00 A.M. (10) Crystal Aire II Hair Dryers w/chairs, (8) Styling Stations w/cabinets, (4) Belmont Shampoo Style Chairs, (6) Marble Bowls, (Hot) Point Washer & Dryer, Rubdown Table, Manicure Table, (6) Chrome Chairs, Glass Top Tables, 2 Drawer File Cabinet, Clean Ray Sanitizer and large quantities of other items usually found in a Beauty Shop too numerous to list. Inspection: Wednesday evening, June 18, 1980, 4:00 P.M. to 8:00 P.M. Thursday, day of sale, beginning at 9:00 A.M. Terms: Cash or certified funds. This absolutely beautiful equipment is less than a year and a half old. For free descriptive brochure, call or write Ben Kleiman Associates, Auctioneers, P.O. Box 2294, Grand Rapids, MI. Ph. (616) 247-8267. c31

Swim sign-up Nagy is top athlete

The Lowell YMCA is still taking registrations for its summer swimming lessons. The lessons are structural so that the swimmer progresses at his/her own pace. The instructional swim program places a child where they should be in regards to their present swim level and teaches them a variety of skills which enable the swimmer to advance.

The lessons also emphasize water safety and basic life-guarding skills. There are four two-week sessions with the first beginning June 16 - June 27th; second, June 30th - July 11th; third, July 14 - July 25, and fourth, July 28 - August 8.

The swim program begins with water babies and continues through adult. Please call the Lowell YMCA for times and days of the classes 897-8445.

OLDS AND A NEW IDEA

Automotive pioneer Ransom E. Olds was born June 3, 1864. He experimented with steam vehicles before he was 20 and built his first gasoline powered vehicle in 1894. In 1901 he developed the curvy dash runabout, the world's first mass produced car. A 1903 model of the Oldsmobile is on exhibit in Henry Ford Museum, Dearborn, Mich., along with a 1909 Reo runabout, the product of another of Olds' auto companies.



Bill Nagy

Bill Nagy, son of Mr. and Mrs. Tom Nagy, has been chosen as the Outstanding Senior Athlete of the 1980 graduating class at Lowell Senior High.

This award is given each year to a boy who has demonstrated superior athletic performance and sportsmanship during his four years at LHS. Bill received varsity letters in football, wrestling and track. He served as president of the Varsity Club and co-captain of the wrestling team.

WE HAVE BANANAS—But we've finally got the scratch pads made 50c per pound at the Ledger 105 N. Broadway.

Now Featuring . . .

- WET BURRITOS \$2.95
- TACOS \$2.95
- PIZZA LARGE, FRESH DOUGH \$2.95

PLUS COMPLETE MENU

TAVENNER'S LOUNGE

M-21 BETWEEN LOWELL & IONIA

CITY OF LOWELL

NOTICE

A Public Hearing will be held before the City Council-Zoning Board of Appeals on Monday,

Monday, June 16

at 8:00 p.m. in the Council Room of City Hall, 301 E. Main Street.

Purpose of the Hearing will be the request of Westdale Realty Co. for a variance from rear yard line requirements in the Central Business District to allow the placement of a temporary office building at the Southwest corner of Main and Hudson Streets, until completion of construction of a permanent building.

All interested persons will be afforded an opportunity to be heard on said request.

Ray E. Quado,
City Clerk

c30-31

Enters race for Young authors honored

Vergennes Super



Angelo J. Zengri

Angelo (A.J.) Zengri of 129 Flat River Dr. has announced his candidacy for Vergennes Township Supervisor in the August 5 primary election.

Zengri has lived in Vergennes Township for the past seven years.

Born in Monroe, MI, Zengri is a retired electrician. He serves as Civic Affairs Chairman for the Lowell Loyal Order of the Moose. He has also been active in many community projects. is a member of the Lowell Area Arts Council, and is a Lowell Community Chest board member.

Summer fun

Lowell YMCA will once again be holding "Younger Daze Kiddie Camp" this summer for children ages 4 through 7. It will be held at the Congregational Church and Richards Park. There are many fun-filled activities, scheduled including arts and crafts, songs, games, stories, and hikes. This year there are seven sessions to choose from starting June 23. Each session is 5 days, Monday through Friday, 10 to 2. Children are asked to bring their own lunch and a drink will be provided.

Laurie Briggs will be this year's coordinator and instructor of the program. She is presently a program director at the United Methodist Pre-School. She brings with her lots of great ideas and some exciting field trips!

Cost for this year's day camp will be \$20 per session for a Y member (\$1 per hour), and \$26 per non-member. Enrollment, as each session has limited space. For more information call the YMCA 897-8445.

Seeking

rodeo queen

All single girls living in the state of Michigan, between the ages of 18-24, are invited to compete for the Miss Rodeo Michigan Pageant July 10, 1980.

This annual day-long event at Fort Wyoming, Lamar Park, includes riding patterns with your own horse, personal interviews and luncheon with the judges.

The 1981 queen will receive a \$1,000 Simco engraved saddle and the \$500 H.R. Walton Memorial belt buckle.

Entry deadline is Saturday, June 28, 1980.

For more information send a personal resume and a recent color photo to: Joyce Kazen, 842 Aldon S.W., Wyoming, MI 49509, or call 247-7597 or 456-7479.

Calvin College was the site of the Fourth Young Author Festival, held on Saturday, June 7, 1980. Children in grades 1 through 6 through-out Kent County were invited to participate in the contest by writing and illustrating their own stories. Each school chose the six most outstanding books submitted and the winners were then invited to spend the day at Calvin College.

At Runciman - Riverside School a total of 65 potential young authors entered their books in the contest. A panel of judges consisting of: Lila Thaler, Ruth Jones, Eleanor Bowen, Bertha Jessup and Maxine Kropf, read and evaluated all of the submitted books. The books were judged and awarded points by the following criteria: context, structure, illustrations and neatness.

Winners of the contest were: Brad Hendrick, Lisa



Local winners in the Young Authors Festival are (L-R): Amy Davis, Joy Drayton, Christina Davis, Victoria Barnes, Brad Barnes. Missing from photo: Lisa Garcia.

Garcia, Amy Davis, Christina Davis, Joy Drayton and Victoria Barnes. Runners-up were: Greg Zimmerman,

Tony Henney, Mike Heys-Brian Fox, Holly Bruinekeool, Carrie Taylor Natua and Rod Bowden.

Celebrating 51 years



Roy and Thelma Bouck

The family of Roy and Thelma Bouck wish to announce the 51st wedding anniversary of their parents on June 14, 1980.

Their children, Lloyd and Betty Powell of Lowell, Robert and Gloria King of Free-

port and William and Louise Bouck of Poway, California, will have a family dinner to celebrate the event.

The Boucks have been blessed with nine grandchildren, and eight great-grandchildren.

Norgas

Plentiful Supply

We also sell LOCAL SERVICE.

We're here when you need us!

Lowell, Mich.
897-9348

RELAX, ENJOY THE NEW 2-STAR

LOWELL SHOW BOAT

Tammy Wynette

JULY 21-22-23
MON.-TUES.-WED.

The LETTERMEN

JULY 24-25-26
THURS.-FRI.-SAT.

9 P.M. ALL SEATS RESERVED

TICKET PRICES
MON.-THRU WED.
\$5, 6, 7, 8
FRI. & SAT.
\$6, 7, 8, 9
THURSDAY—
FAMILY NITE
\$3, \$5, \$7

PLUS SHOWBOAT CHORUS, BAND, ENDMEN, AMATEUR TALENT WINNERS ALL SEATS RESERVED.

TICKET OUTLETS
(AFTER JULY 1)
HERPS—DOWNTOWN, & WYOMING VILLAGE
SEARS—WOODLAND MAIL

LOWELL SHOW BOAT

P.O. BOX 56 LOWELL, MI (616) 897-9237

Simple Interest

INSTALLMENT LOANS

They're a better deal.

Now there's a better way to borrow. It's a simple-interest installment loan from First Security Bank.

With a simple interest loan, you pay interest *only on what you still owe.*

Any early payments (even if they're just a day early) will save you money. There's a real advantage in paying off your loan balance early; you'll save a lot more than with an old-fashioned add-on installment loan.

You can arrange a FSB Simple-Interest loan at any of our convenient offices. Simple, isn't it?

Now Available at

First Security Bank

IONIA • BELDING • CARSON CITY
SARAÑAC • LYONS-MUIR • LOWELL

MEMBER FDIC

An elaborate public relations plan to bring road activities and information on park facilities to the public in Kent County is underway by Kent County Road and Park Commission personnel.

So reports James Porritt, manager of the KCRPC, who adds that the program is, in a way, a spinoff of the Feedback informational service which was in operation for about four years.

"Our new plan goes further in more depth than what was available from

Feedback," says Porritt. Park department aides are in the process of choosing color slides of different parks and natural beauty spots. The slides will be used in two or three-minute informational talks by means of video-audio equipment including a tape track for the explanatory parts of the illustrated mini-lectures in the trailer now known as Rap Van.

"For instance, someone steps into Rap Van and wants to know about the facilities at Fallsburg Park, the aide

picks out the slides and sound track of that park and inserts them into the projector," says Porritt. "The slides, projected on the screen, will show meadow-like grounds, the many large trees and bushes, the Flat River where people can go fishing and its tributary creek, the hills, the shelter-house and, in general, the many scenic views at different points, the playground equipment, the baseball grounds, the many picnic tables and offstreet parking areas," he explains.

The color slides to be used in the illustrated mini-lectures have been taken by different staff members of the road and park commission over the years, but more slides will have to be taken at different parks to make well-rounded, illustrated talks, the manager points out. Also being prepared is a 20-minute, illustrated lecture about the activities of the road and park commission to be given by a KCRPC administrator before large groups. Rap Van, to be manned by two persons, will go to

shopping malls and strategic locations throughout the county to give the best coverage, says Porritt. Also, it will be in operation during holidays and weekends.

It is hoped Rap Van will be in operation by the end of June to tell about the county's 27 parks. The schedule of stops by Rap Van will be announced later. —Dave Barnes.

Married 171 years



Celebrating their wedding anniversaries at Cumberland Manor recently were: Mr. and Mrs. Peter Barbachuk, 62 years; Mr. and Mrs. Scott, 55 years; and [standing] Mr. and Mrs. Henry Graunwald, 54 years.

Cumberland Manor birthdays



Celebrating June birthdays at Cumberland Manor recently were Beatrice Bulley, Rufus Badder, Mary Anderson and Frances Hodgkins.

Howes weather With Meteorologist RON HOWES

Storms like the Kalamazoo tornado are rare in Michigan. It has been fifteen years since anything so destructive has dipped from the Michigan skies. On a balmy Palm Sunday in 1965 fifty-one tornadoes visited the Southern Great Lakes, killing 51 persons in Michigan.

The Palm Sunday outbreak focused national attention on the inadequacies of the tornado warning system. The National Weather Service got the funds to improve its radar network, research in tornado forecasting was stepped up, and public awareness of the tornado danger reached an all time high.

So, fifteen years later on Tuesday, May 43, the system worked. A tornado watch was broadcast two hours and twenty-five minutes before the tornado touched down. Thanks to alert citizen spotters and a good civil defense organization, the sirens sounded as the tornado approached. Without the warning the death toll could have been much higher.

In 1980 advance warning of a tornado is much more likely than in 1965. But a warning is no good unless people act. If a warning is sounded for your area, go to the safest place immediately. Take a few minutes now to think through what you would do if a tornado approached.

LEANEST NOT ALWAYS BEST

The better quality meat can be recognized by the marbling—flecks of fat throughout the lean portions. Meat with no fat at all wouldn't taste as good or have as pleasing a texture, points out the National Live Stock and Meat Board.

WEEKEND SPECIALS... FRIDAY AND SATURDAY JUNE 13 & 14 4:00 P.M. Until? SMORGASBORD BAKED CHICKEN & MUSHROOM SAUCE & BARBEQUED SPARE RIBS SALAD BAR ONLY \$3.00 FRIDAY LUNCH SPECIAL SMELT BASKET \$3.00 Welcome to the Pony Express Riders WE STILL HAVE OUR REGULAR LUNCHEON SPECIALS SERVING BEER, WINE & LIQUOR THE VILLAGE INN 211 W. Main St., Lowell • Ph. 897-5301

Ed Benjamin Residential Real Estate Eastgate Specialist-Photo Brochures Westdales Better Homes and Gardens OFFICE 456-8561 DIAL PAGE 364-1164 (Just Give Your Name And Number)

ART'S RADIO-TV SERVICE Complete Repair Of TVs - Radios - Antennas - Etc. Phone 897-8196 104 E. Main, Lowell

DADS ARE SPECIAL AT NATURE'S EMPORIUM!!! See Us For That Unusual Gift That You've Been Looking For CASH & CARRY SPECIALS... Carnations \$5.00 per dozen Daisies \$1.50 per bunch NATURE'S EMPORIUM Enjoy Pony Express Days At The Chamber of Commerce Ox Roast! 611 W. Main - Lowell Phone 897-7977 MASTER CHARGE • VISA • TELEFLORA • FTD • CARTE BLANCHE

Grand Valley Ledger - Wednesday, June 11, 1980 - Page 16

1980 Summer Guide to 367 Privately Operated Campgrounds in Michigan

CAMPGROUNDS GROUPED ALPHABETICALLY BY COUNTY... 1980 CODE REFERENCE... NOTE: PHONE BEFORE GOING. Information for this listing was obtained last fall. Rates and accommodations may have changed since. Some of the campgrounds have a limited number of site sewerage and electrical hookups. Prices quoted are daily minimum with electricity. The city listed following the name of each campground indicates the closest town. AAA inspected or approved campgrounds are indicated in the listing as follows: inspected, R; approved, A. The letter "S" after a numeral in the listing indicates the number of sites.

CLASSIFIED ADS... for results

PHONE 897-9261 Grand Valley Ledger - Wednesday, June 11, 1980 - Page 19

284. Township, Howard City, MI (JACKSON) 6160... 285. Township, Howard City, MI (JACKSON) 6160... 286. Township, Howard City, MI (JACKSON) 6160...

Coming Events

OX ROAST Saturday, June 21 3:30 - 7:30 p.m. Traditional Dinner At Historic Vergennes United Methodist Church

JUNE 16-26: Vacation Bible School with Uncle Les and Aunt Mary... JUNE 17: Louise Ryder, David Ryder, Leo Trierwer...

We Are Now A Goodyear Tire Dealer... GOOD YEAR See Us For The Best Prices In Town!!!

COUPON VALUE OIL, OIL FILTER \$10.95 UP TO 5 QTS. VENNEN CHRYSLER-DODGE 930 W. Main St., Lowell Ph. 897-9281

cozy corner By Roger Brown As I reported in this column a couple of weeks ago, family camping tent has a three or four foot gaping hole in top of it...

PERSONAL Jackpot BINGO Every Sat. Nite 7 p.m. Upstairs at OWELL MOOSE HALL Early Bird Bingo 6 p.m.

ATTENTION NEEDLECRAFTERS treacher Bars now available at the Grand Valley Ledger...

ATTORNEY SERVICES No Fault Uncontested Divorce... \$250.00

ATRINA - Waiting for instructions on the Indiana tip. Won't be long now - eve, Mom & Dad.

JACKPOT BINGO Every Friday night, 7:30 p.m. Lowell VFW Hall, East Main St., Lowell. Early Bird Bingo at 6:45 p.m. Public welcome.

OWELL FFA - Will sponsor a HOG ROAST on June 1 from 5 to 7:30 p.m. at the Ito Elementary School.

JACKPOT BINGO - Every Tuesday night above the Alto American Legion, Main St., Alto. Time: Early Bird bingo 6:30. Public welcome.

OLUNTER SUPREME - Can't believe you've taken another "case". Good luck - Colleen Baker.

AD - Happy Father's Day - one of my best friends. We've missed you very much. - Lowell Branch.

BUSINESS SERVICE NOTICE The newspaper cannot verify the financial potential of these advertisements...

MOSQUITO SPRAYING - Steam Cleaning and Sand blasting, mobile homes, farm equipment of all kinds...

BEEF - Processing, cut, wrapped, frozen and labeled. 10c per lb. Pork 8c lb. Also Beef and Pork for sale...

TRUSSES - Trained fitter. Surgical appliances, etc. Koss Rexall Drugs, Saranac, MI. c1f

THOMET CHEVROLET & BUICK 24 HOUR TOWING SERVICE 1250 W. Main St., Lowell BUS. 897-9294

BILL ELLISON PHONE 897-9548

THOMPSON INTERIOR SERVICE CARPETING WALLPAPER LINOLEUM COUNTER TOPS

Showboat AUTOMOTIVE SUPPLY, INC. 450 W. Main St. 897-9231 Lowell

COUPLES - Without previous business experience but willing to work and learn together, pleasant, profitable work, contact Amway Distributor...

EARN EXTRA MONEY At home. Good pay. Easy Work. No experience necessary. Reply now for application.

CHOOSE YOUR OWN DATES - 18-80 from photos and Friendship Applications. 10 for \$25. Immediate service.

THOMET CHEVROLET & BUICK 24 HOUR TOWING SERVICE 1250 W. Main St., Lowell BUS. 897-9294

BILL ELLISON PHONE 897-9548

THOMPSON INTERIOR SERVICE CARPETING WALLPAPER LINOLEUM COUNTER TOPS

THOMPSON INTERIOR SERVICE CARPETING WALLPAPER LINOLEUM COUNTER TOPS

Showboat AUTOMOTIVE SUPPLY, INC. 450 W. Main St. 897-9231 Lowell

1977 CAMARO LT - Mint condition. Small V-8, good gas mileage. Call after 7 p.m. 897-7061. c12f

Classified Ad Rates Up to 20 words - \$1.00. Three cents for each additional word...

FOR SALE RC HEADER - for 750 Honda. Can be seen at the Lowell Bakery. \$75. p31

FOR RENT 1 bedroom apartment, Saranac. References. Non-smoker preferred. 642-9891. c31

Time to... PRINT & PAPER ILA'S DECORATING SERVICE 897-7868

WANTED - Babysitting job in your home. Certified, dependable, good with kids. Preferably under 5. Call 897-7636. c31

WANTED - Ride to St. Mary's Hospital June 16-23 and July 21-August 11. 7:00 a.m.-3:30 p.m. and 8 a.m.-4:30 p.m. Ph. 897-6103 after 6 p.m. c30-31

WANTED - Upright piano in at least fair condition. Please call 897-8533 or 897-9261. nc31f

SUMMER EMPLOYMENT OPPORTUNITY The City of Lowell is taking applications for a maximum of 12 weeks summer work in City parks and cemetery... CARD OF THANKS Our heartfelt gratitude to relatives, friends and neighbors for the many thoughtful acts, expressions of sympathy, beautiful flowers and the calls we received at the time of the loss of our loved one...

The Back Page

Free Fair's headliners announced

The Ionia Free Fair's grandstand show headliners have been announced by Burton "Bud" Stencel, secretary-manager of the big outdoor exposition which runs Aug. 1-10.

Crystal Gayle and Ray Stevens will begin the Fair's six-day big-name entertainment run with 6:30 and 9:00 p.m. performances Aug. 4.

The Fair's grandstand stage will feature the Jim Ed Brown and Wendy Holcombe Shows at 8 p.m., Aug. 5.

Appearing with Brown will be singer Helen Cornelius. The singing duo starred in the syndicated television show, "Nashville On The Road". Special guests will be the D'Johns. This popular act appeared last year at Ionia with Kenny Rogers.

Famed trumpeter Al Hirt and singer-dancer Susan An-

ton will share the spotlight at 8 p.m., Aug. 6. Hirt appeared before capacity audiences at the Fair in 1965.

Fairgoers will get another chance to see The Charlie Daniels Band on Aug. 7 at 6:30 and 9 p.m. The Southern rock and roll group vaulted to the top last year with its recording of "The Devil Went Down to Georgia". The group was slated to appear before a sell-out Free Fair audience last summer but had to cancel due to an injury to a band member the day before the scheduled appearance.

The Beach Boys will be featured at 6:30 and 9 p.m. shows, Aug. 8.

This year's "Country Music Entertainer of the Year", Larry Gatlin, will close out the Fair's star-studded grandstand lineup at 8 p.m.,

Aug. 9. The Gatlin Bros. Band will appear with Gatlin.

Advance \$8.50 ticket orders will be accepted by calling the Free Fair at (616) 527-1310 from June 9 thru July 21. Beginning July 22 phone reservations can be made by calling the ticket office at (616) 527-1390. Ticket orders will also be accepted by sending a money order and self-addressed, stamped envelope to the Ionia Free Fair, P.O. Box 96, Ionia, MI 48846.

Dr. Myers sells practice

Dr. H.R. Myers of Lowell has announced the sale of his office and practice to two area doctors, Dr. Paul Gauthier, D.O. of Cascade and Dr. James Lang, D.O., of Kentwood.

Dr. Gauthier, 28, is a life-long resident of Grand Rapids and is a graduate of Aquinas College with a B.S. degree. He graduated from Michigan State University College of Osteopathic Medicine in 1979. He interned at Grand Rapids Osteopathic

Hospital.

Gauthier and his wife Karen expect their first child this fall.

Dr. Lang, 26, is also an Aquinas College graduate with a Bachelor of Science degree, Cum Laude. He graduated from the Michigan State University College of Osteopathy and interned at Grand Rapids Osteopathic Hospital.

The doctors will be redecorating the offices at 147 N. Center St. and plan to open their practice about July 15.

Dr. Myers has served the area since 1942 until an auto accident forced his retirement about six years ago. He would like to thank all of his former patients for their patronage over the years and urges them to support Dr. Gauthier and Dr. Lang with their renewed patronage.

Odell MSU graduate



Brian Odell graduate June 7, 1980 from Michigan State University with a degree in Chemical Engineering. He has accepted a job with Chevron Corp. of New Orleans, Louisiana. Brian is the son of Mr. and Mrs. Adelbert Odell of 1065 Bailey Dr., Lowell.

Lowell woman announces candidacy

Diane Siciliano, Lafayette St., Lowell, has announced her candidacy for Kent Coun-



Diane Siciliano

ty Commissioner from the 3rd District. In her first race for public office, she is unopposed for the Democratic nomination.

Siciliano is a member of the Executive Committee of the Kent County Democratic party. She has been a precinct delegate for the last seven years and is a past alternate delegate to the Michigan Democratic State Central Committee.

Presently on furlough from Fisher Body Trim Plant, Siciliano is on the Education Committee and the CAP Council of UAW Local 1231, and is editor of the Local's newsletter. Both in 1978 and again in 1980, Mrs. Siciliano was honored with the General Motors Award for Excellence in Community Service.

Active in the civic affairs of both Grand Rapids and Lowell, Siciliano is a member of the Finance Committee of the Grand Rapids YMCA and donates time to the United Fund Drive, Labor Division. She is a member of the Lowell Area Arts Council and was the prime mover in the Las Vegas Night Fund raiser for Lowell Showboat.

Siciliano said that her special areas of interest at the county level are the parks system, area landfills and tax equalization.

Married to Antonio Siciliano, they have three children. Paul is a 1977 graduate of Lowell High School; Tina is a 1980 graduate; and Trent attends Riverside School.

OLD SCIENCE

How old is the science of weather forecasting? Thousands of years! The ancient Greeks required their medical students to study the winds, sun and climate because they believed that man's diseases changed with the weather. Even earlier, the Egyptians divided the year into six weather seasons, and during the rainy period the king was sent to drier climes for his health.

VanAntwerp honored by State Art Teachers

Chris VanAntwerp of Lowell was honored recently, along with 18 other Michigan teachers, as Outstanding Teacher of the Year. The ceremony honoring the teachers took place during the Michigan Week Youth Arts Festival at Central Michigan University, May 16 and 17.

The festival is a yearly event at which student artists perform or display their art. The students who attend are individuals or groups who have won competitions between Michigan high schools in the areas of dance, instrumental music, vocal music, theatre, visual arts and creative writing.

The university underwrites the cost of the two day festival which is coordinated by a board of directors made up of teachers from

each organization whose students are invited.

VanAntwerp, who teaches art at Saranac Community High School, was a festival director representing the Michigan Art Education Association. It was this group which honored VanAntwerp as outstanding secondary teacher of the year.

SMOKE SIGNALS

Smoke of the ordinary chimney variety is an excellent weather forecaster. If it goes straight up, or slants slightly to one side, good weather can be expected. But, look for rain or snow if the smoke bends in the air and then heads back to earth.

COME'N GET EM—Scratch pads are back at the Ledger for a CHEAP, CHEAP, CHEAP 50 cents per pound. 105 N. Broadway.

Gas Grill Demo/Sale

All Day, Saturday, June 14th

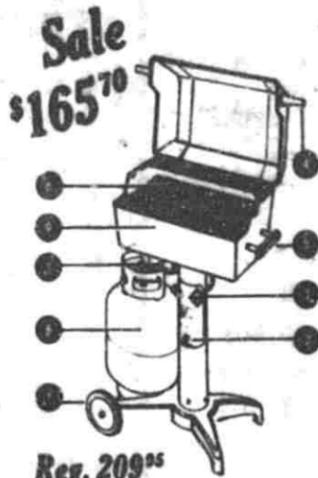
A Factory Representative Will Be Cooking An Assortment Of Dishes So That You Can See And Taste The Advantages Of Gas Grill Cooking!



Reg. \$239.00
Save \$53.00

MODEL 9330 A.G.A. Certified
Double Burner
Cast Aluminum Propane Gas Grill

1. Sturdy, deluxe portable base design with heavy duty wheels.
2. Electric starter convenience.
3. Built-in heat indicator.
4. Versatile double burner (with separate controls).
5. Side lid handles and pinned hinges for added safety.
6. Side handle for easy mobility.
7. 310 sq. in. cooking grid. 80 sq. in. warming grid.
8. LP gas tank attaches directly to grill for complete portability.
9. 20 lb. LP cylinder included.
10. 4-1/2 lb. bag permanent volcanic rock included.



Reg. 209.00
Save \$44.15

MODEL 9370 A.G.A. Certified
Double Burner
Cast Aluminum Propane Gas Grill

1. Sturdy, deluxe portable base design with heavy duty wheels.
2. Electric starter convenience.
3. Versatile double burner (with separate controls).
4. Side lid handles and pinned hinges for added safety.
5. Side handle for easy mobility.
6. 245 sq. in. cooking grid. 80 sq. in. warming grid.
7. LP gas tank attaches directly to grill for complete portability.
8. 20 lb. LP cylinder.
9. 4-1/2 lb. bag permanent volcanic rock included.



You Can Shop In Lowell
Wednesday and Friday Evenings!

223 W. Main, Lowell

Ph. 897-5643

DEE CEE WORK PANTS

DEE CEE PAINTER PANTS & PAINTER SHORTS

DEE CEE BIBS & BIB SHORTS

NEW! LEOTARDS FOR CHILDREN

YOU CAN SHOP IN LOWELL
WEDNESDAY & FRIDAY NIGHTS

Dodo

THAT Special PLACE

215 W. Main, Lowell, 897-8545

Member Of The Lowell Area Chamber Of Commerce